



W1

One Ear Clip

The use of one ear clips is an economical solution for many simple hose assemblies, as they can be used with air or other fluids.

The practical design of ear clips means that they are tamper-proof once mounted.

The edges are rounded to avoid damage to the hose. One ear clips are easy, fast and safe to mount.

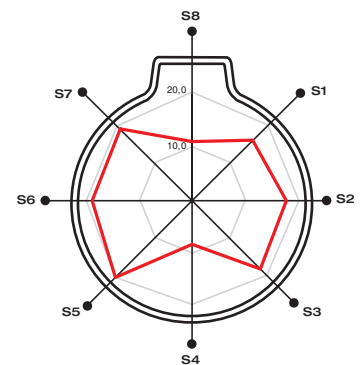
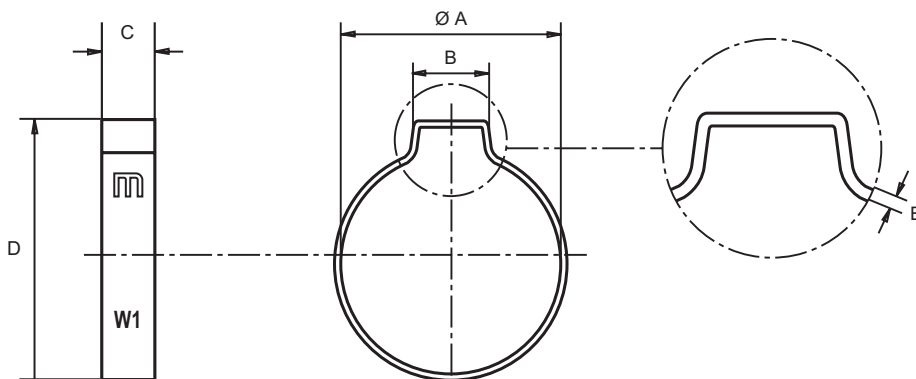
* Please see pages 84 and 85 for further information regarding application tools.

* Special diameters available on request.

One Ear Clip - A10R W1

Application Ø		Part n° W1	A	B	C	D	E	Box Quantity (MOQ)	Packing	Colour
mm min. - max.	inches min. - max.									
7-9	9/32-11/32	03012080	9,3	5,5	6,0	13,0	0,8	1000	8000	SILVER-WHITE
8-10	5/16-13/32	03012072	10,3	6,0	6,0	14,0	0,8	1000	8000	SILVER-WHITE
9-11	11/32-27/16	03012013	11,3	6,5	6,5	15,0	0,8	1000	8000	SILVER-WHITE
10-12	13/32-15/32	03012021	12,3	7,0	6,5	16,0	0,8	500	8000	SILVER-WHITE
11-13	7/16-17/32	03012030	13,3	7,5	6,5	17,0	0,9	500	8000	SILVER-WHITE
12-14	15/32-9/16	03012048	14,3	8,0	7,0	18,5	1,0	500	4000	SILVER-WHITE
14-16	9/16-5/8	03012056	16,3	8,5	7,0	20,5	1,1	500	4000	SILVER-WHITE
16-18	5/8-23/32	03012064	18,5	9,5	7,0	23,0	1,1	500	4000	SILVER-WHITE

W1 Band: St 34 steel (DIN 2393 C) **Finish:** Silver-white Cr3 Zinc-Plated



Polar diagram

● Sectors	S1	S2	S3	S4	S5	S6	S7	S8
— Force Kg	16,1	17,8	18,1	8,2	20,4	18,8	19,8	11,2

Torque / Efficiency [Nm / daN]



Stainless Steel One Ear Clip

The use of one ear clips is an economical solution for many simple hose assemblies, used with air or other fluids.

Due to the AISI-304 steel used in the manufacture of these clips, their corrosion resistance is outstanding.

They are recommended especially in outdoor applications.

Like all ear clips, once mounted they are tamper-proof.

* Please see pages 84 and 85 for further information regarding application tools.

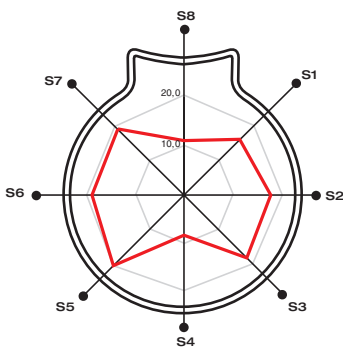
* Special diameters available on request.

W4

Stainless Steel One Ear Clip - A10R INOX W4

Application Ø		Part n° W4	A	B	C	D	E	Box Quantity (MOQ)	Packing	Colour
mm min. - max.	inches min. - max.									
7-9	9/32-11/32	23012440	9,3	5,5	6,0	13,0	0,8	1000	16000	STAINLESS STEEL
8-10	5/16-13/32	23012087	10,3	6,0	6,0	14,0	0,8	1000	16000	STAINLESS STEEL
9-11	11/32-7/16	23012010	11,3	6,5	6,5	15,0	0,8	1000	8000	STAINLESS STEEL
10-12	13/32-15/32	23012028	12,3	7,0	6,5	16,0	0,8	1000	8000	STAINLESS STEEL
11-13	7/16-17/32	23012036	13,3	7,5	6,5	17,0	0,8	500	8000	STAINLESS STEEL
12-14	15/32-9/16	23012044	14,3	8,0	7,0	18,5	1,0	500	8000	STAINLESS STEEL
13-15	17/32-19/32	23012079	15,3	8,0	7,0	19,5	1,0	500	4000	STAINLESS STEEL
14-16	9/16-5/8	23012052	16,3	8,5	7,0	20,5	1,0	500	4000	STAINLESS STEEL
15-17	19/32-11/16	23012458	17,5	9,0	7,0	22,0	1,0	500	4000	STAINLESS STEEL
16-18	5/8-23/32	23012060	18,5	9,0	7,0	23,0	1,0	500	4000	STAINLESS STEEL
17-19	11/16-3/4	23012423	19,5	9,5	7,5	24,0	1,0	250	2000	STAINLESS STEEL
18-20	5/8-25/32	23012431	20,5	10,0	7,5	25,0	1,0	250	2000	STAINLESS STEEL

W4 Band: Stainless steel (AISI-304) (A2) **Finish:** 100% Stainless steel



Polar Diagram

Sectors	S1	S2	S3	S4	S5	S6	S7	S8
Force Kg	16,1	17,8	18,1	8,2	20,4	18,8	19,8	11,2

Torque / Efficiency [Nm / daN]

