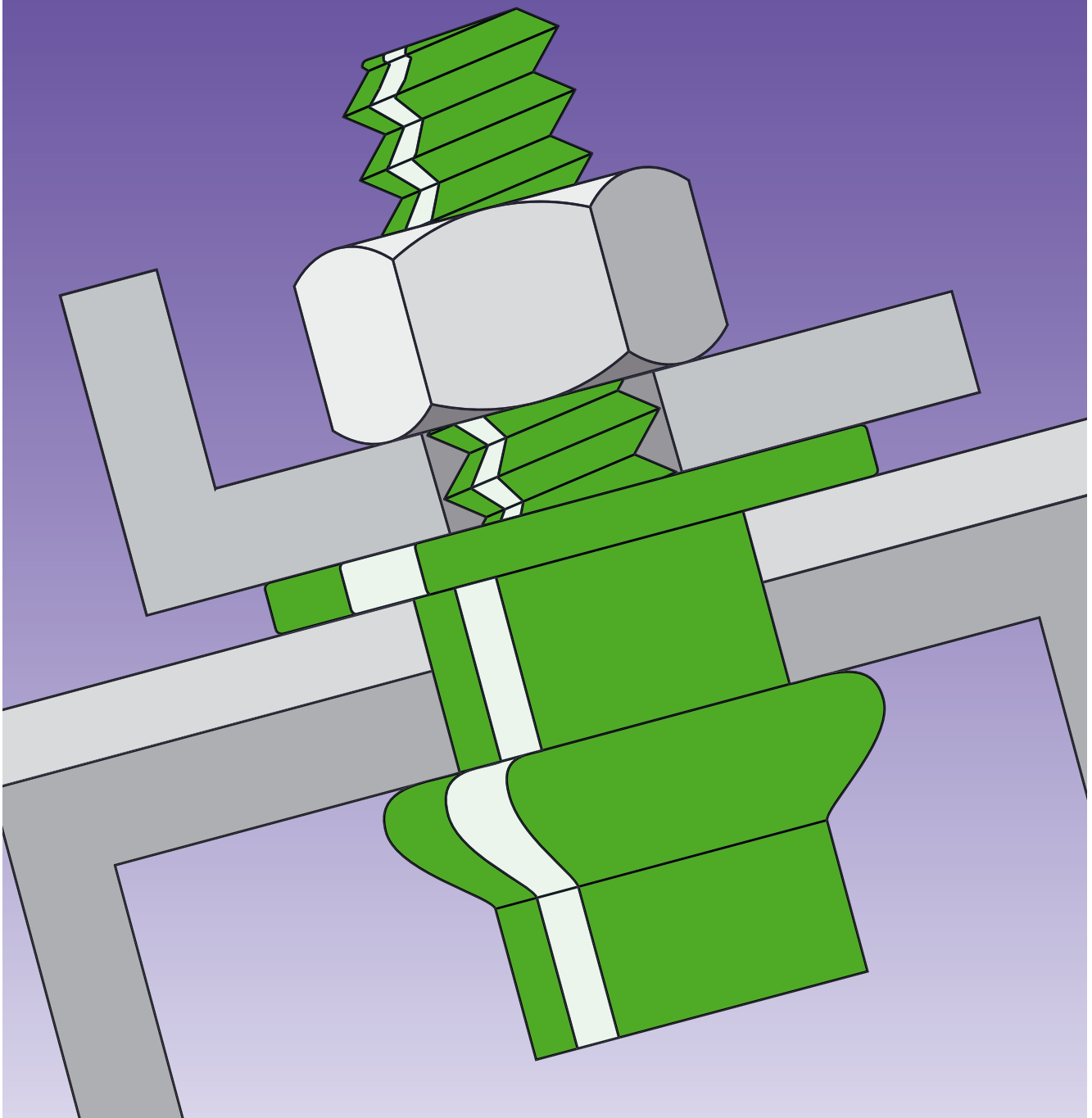


■ TIBOLT® blind rivet studs



TITGEMEYER Td1419GB(0110)2

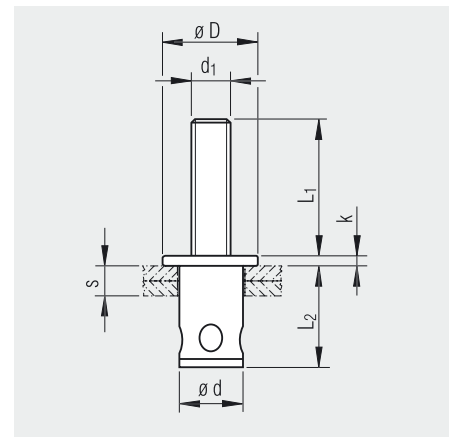
Threaded inserts


TIBOLT® blind rivet studs

Flat head

Material

 **Steel zinc**



| Thread d_1 | Grip range s [mm] | Hole- \varnothing [mm] | Thread length L_1^1 [mm] | Body- \varnothing d_{max} [mm] | Head- \varnothing D [mm] | Head height k [mm] | Body length L_2 [mm] | Part No.  Steel |
|-----------------|---------------------------|-----------------------------|----------------------------------|--|------------------------------------|----------------------------|------------------------------|--|
| M 4 | 0.5 – 1.9 | 5.5 | 8 | 5.4 | 8.0 | 0.5 | 8.0 | 332 402 |
| | 2.0 – 3.0 | 5.5 | 8 | 5.4 | 8.0 | 0.5 | 9.0 | 332 412 |
| | 0.5 – 1.9 | 5.5 | 15 | 5.4 | 8.0 | 0.5 | 8.0 | 332 405 |
| M 5 | 2.0 – 3.0 | 5.5 | 15 | 5.4 | 8.0 | 0.5 | 9.0 | 332 415 |
| | 0.5 – 1.9 | 6.6 | 10 | 6.5 | 9.0 | 0.75 | 9.0 | 332 503 |
| | 2.0 – 3.5 | 6.6 | 10 | 6.5 | 9.0 | 0.75 | 10.5 | 332 513 |
| M 6 | 0.5 – 1.9 | 6.6 | 15 | 6.5 | 9.0 | 0.75 | 9.0 | 332 505 |
| | 2.0 – 3.5 | 6.6 | 15 | 6.5 | 9.0 | 0.75 | 10.5 | 332 515 |
| | 0.5 – 2.4 | 7.8 | 10 | 7.7 | 10.0 | 1.0 | 10.5 | 332 603 |
| M 8 | 2.5 – 4.0 | 7.8 | 10 | 7.7 | 10.0 | 1.0 | 12.0 | 332 613 |
| | 0.5 – 2.4 | 7.8 | 15 | 7.7 | 10.0 | 1.0 | 10.5 | 332 605 |
| | 2.5 – 4.0 | 7.8 | 15 | 7.7 | 10.0 | 1.0 | 12.0 | 332 615 |
| M 8 | 0.5 – 2.9 | 9.9 | 15 | 9.8 | 12.0 | 1.5 | 12.5 | 332 805 |
| | 3.0 – 5.0 | 9.9 | 15 | 9.8 | 12.0 | 1.5 | 14.5 | 332 815 |
| | 0.5 – 2.9 | 9.9 | 20 | 9.8 | 12.0 | 1.5 | 12.5 | 332 807 |
| | 3.0 – 5.0 | 9.9 | 20 | 9.8 | 12.0 | 1.5 | 14.5 | 332 817 |

¹ L_1 = dimension varies depending on actual grip thickness and tool setting.

On request: • Countersunk head 90°

We reserve the right to amend specifications at any time.