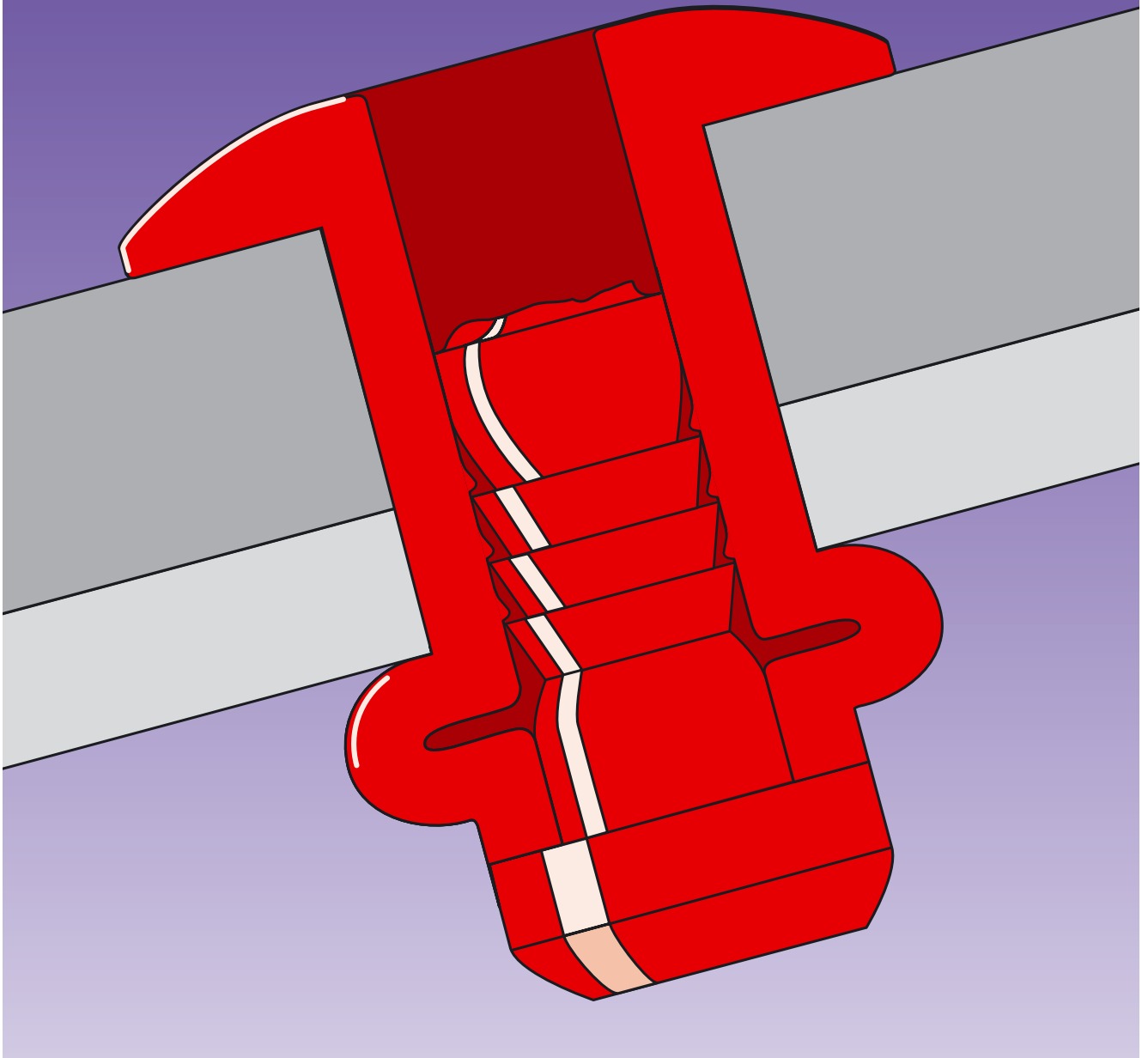


## ■ TIFAS<sup>®</sup> Power-Grip blind rivets



# TIFAS® Power-Grip blind rivets

- Attractive and large blind side footprint
- Wide grip range
- High clamp load
- Secure mandrel retention
- Suitable for automatic processing
- Grooved mandrel increases tool life

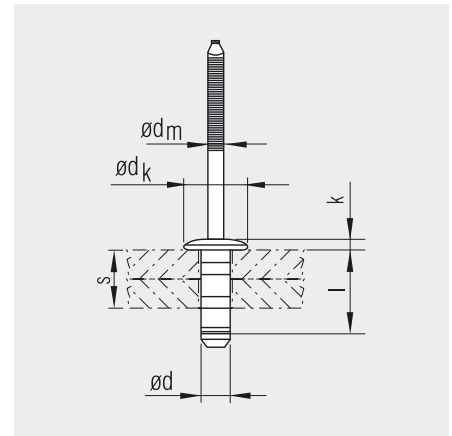


Dome head with grooved mandrel

## Material

**Sleeve**  
**Aluminium**  
 EN-AW-5052 AlMg 2.5

**Mandrel**  
**Steel zinc**

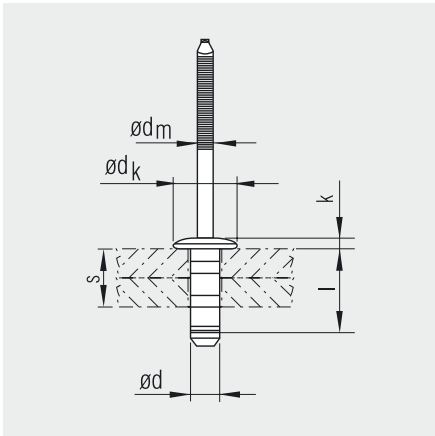


Nominal size- $\varnothing$ d [mm]	Hole- $\varnothing$ [mm]	Grip range s [mm]	Sleeve length l +1.0 -0.2 [mm]	Head		Mandrel $\varnothing$ d <sub>m</sub> max [mm]	Strength <sup>1</sup> nominal		Part No.
				$\varnothing$ d <sub>k</sub> ±0.3 [mm]	Height k max [mm]		Shear [N]	Tensile [N]	
4.8	4.9 – 5.0	1.5 – 6.0	10.8	9.5	1.6	3.1	1200	1900	304 780 000
		6.0 – 10.0	16.5	9.5	1.6	3.1	1200	1900	304 781 000

<sup>1</sup> Minimum based on rivet failure

We reserve the right to amend specifications at any time.

# TIFAS® Power-Grip blind rivets



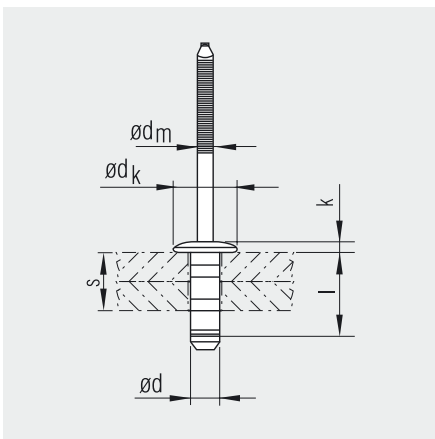
Dome head with grooved mandrel

### Material

- **Sleeve**  
Steel SAE 1006, zinc
- **Mandrel**  
Steel zinc

Nominal size- $\varnothing$ d [mm]	Hole- $\varnothing$ [mm]	Grip range s [mm]	Sleeve length l +1.0 -0.2 [mm]	Head		Mandrel $\varnothing$ d <sub>m max</sub> [mm]	Strength <sup>1</sup> nominal		Part No.
				$\varnothing$ d <sub>k</sub> ±0.3 [mm]	Height k max [mm]		Shear [N]	Tensile [N]	
4.8	4.9 – 5.0	1.5 – 6.0	10.6	9.5	1.6	3.1	2840	3680	304 784 000
		6.0 – 10.0	16.2	9.5	1.6	3.1	2658	3346	304 785 000

<sup>1</sup> Minimum based on rivet failure



Dome head with grooved mandrel

### Material

- **Sleeve**  
Stainless steel 302HQ/~1.4567
- **Mandrel**  
Stainless steel 304/~1.4301



Nominal size- $\varnothing$ d [mm]	Hole- $\varnothing$ [mm]	Grip range s [mm]	Sleeve length l +1.0 -0.2 [mm]	Head		Mandrel $\varnothing$ d <sub>m max</sub> [mm]	Strength <sup>1</sup> nominal		Part No.
				$\varnothing$ d <sub>k</sub> ±0.4 [mm]	Height k max [mm]		Shear [N]	Tensile [N]	
4.8	4.9 – 5.0	1.5 – 6.0	10.7	9.4	1.6	3.3	4000	4500	304 788 000
		6.0 – 10.0	16.2	9.4	1.6	3.3	4000	4500	304 789 000

<sup>1</sup> Minimum based on rivet failure

We reserve the right to amend specifications at any time.

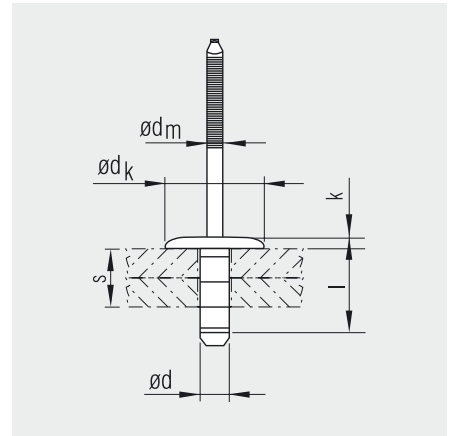
# TIFAS® Power-Grip blind rivets

Large domed head  
with grooved mandrel

## Material

**Sleeve**  
Aluminium  
EN-AW-5052 AlMg 2.5

**Mandrel**  
Steel zinc



Nominal size- $\phi$ d [mm]	Hole- $\phi$ [mm]	Grip range s [mm]	Sleeve length l +1.0 -0.2 [mm]	Head		Mandrel $\phi$ dm max [mm]	Strength <sup>1</sup> nominal		Part No.
				$\phi$ dk $\pm 0.3$ [mm]	Height k max [mm]		Shear [N]	Tensile [N]	
4.8	4.9 – 5.0	1.5 – 6.0	10.8	16.0	2.1	3.1	1200	1900	304 782 000
		6.0 – 10.0	16.5	16.0	2.1	3.1	1200	1900	304 783 000

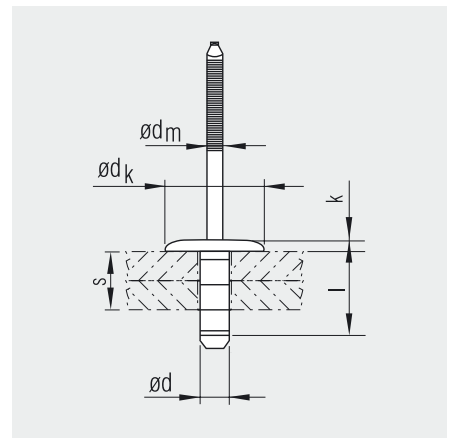
<sup>1</sup> Minimum based on rivet failure

Large domed head  
with grooved mandrel

## Material

**Sleeve**  
Steel SAE 1006, zinc

**Mandrel**  
Steel zinc



Nominal size- $\phi$ d [mm]	Hole- $\phi$ [mm]	Grip range s [mm]	Sleeve length l +1.0 -0.2 [mm]	Head		Mandrel $\phi$ dm max [mm]	Strength <sup>1</sup> nominal		Part No.
				$\phi$ dk $\pm 0.3$ [mm]	Height k max [mm]		Shear [N]	Tensile [N]	
4.8	4.9 – 5.0	1.5 – 6.0	10.6	16.0	2.1	3.1	2840	3680	304 786 000
		6.0 – 10.0	16.2	16.0	2.1	3.1	2658	3346	304 787 000

<sup>1</sup> Minimum based on rivet failure

We reserve the right to amend specifications at any time.