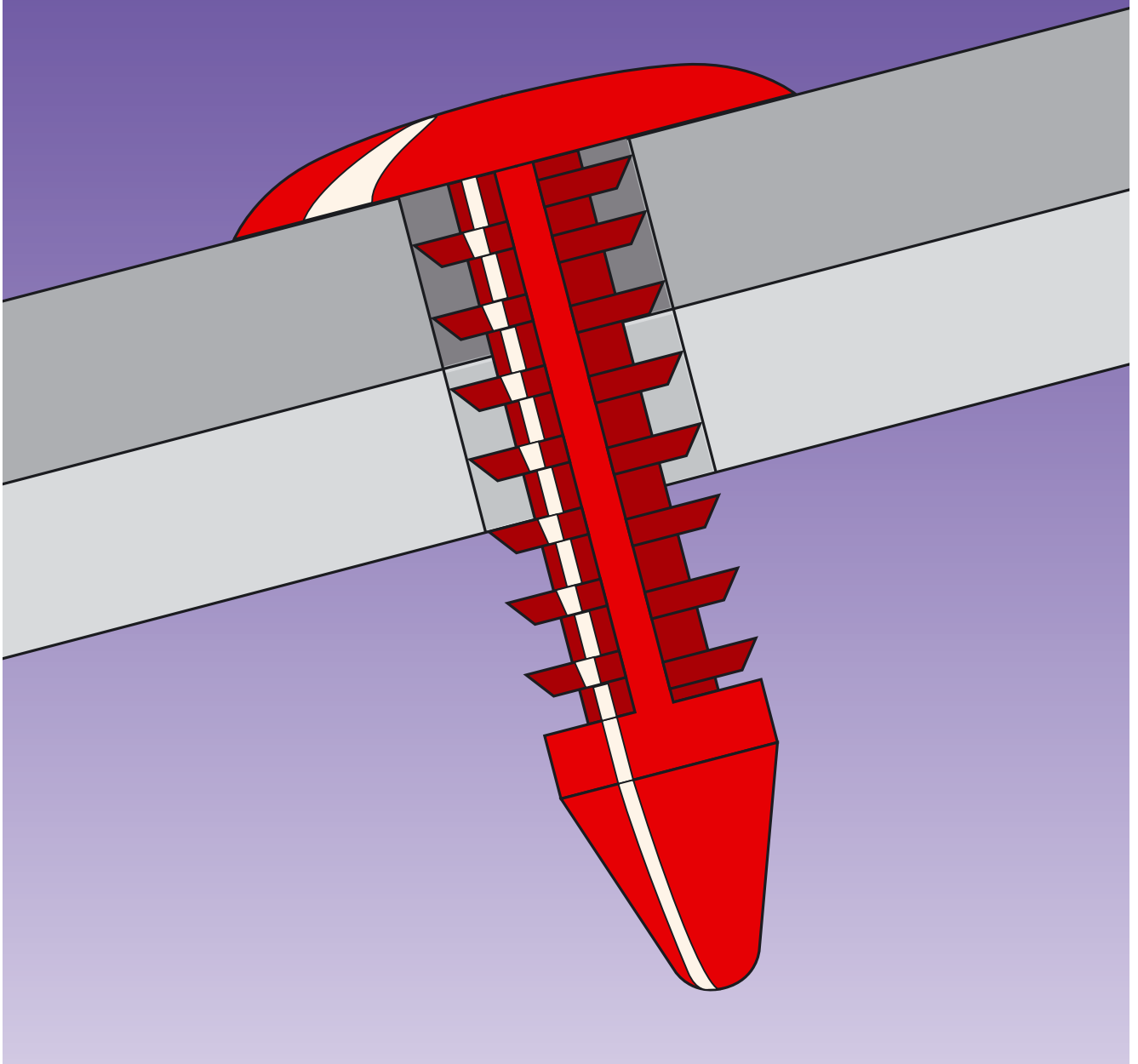


■ TIFAS[®] plastic retaining clips

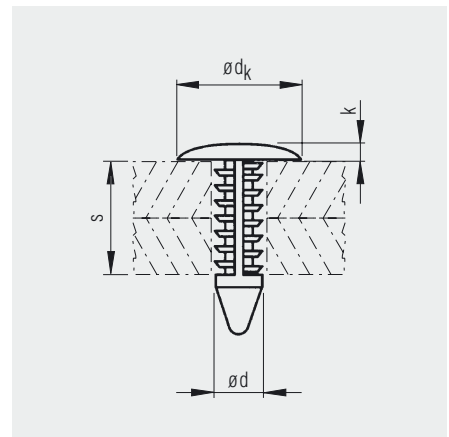
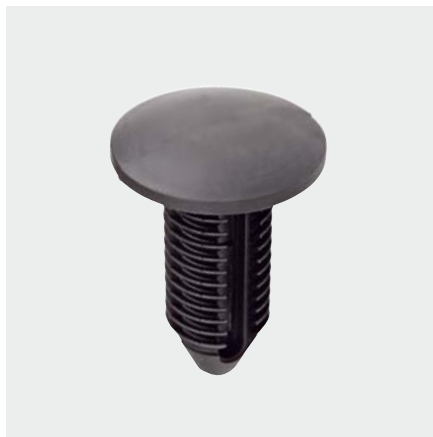


TIFAS® plastic retaining clips

- safe to use and can be removed without causing any damage
- quick and easy to set

Material

 Polyamid PA



Hole- \varnothing $d_{max.}$ [mm]	Type	Grip range s [mm]	Head $\varnothing d_k$ [mm]	Head height k [mm]	Part No.
3	R-removable, can be detached with little force	1.75 – 5	5.5	1.5	409 250 000
3		4 – 12	5.5	1.5	409 251 000
5		1.6 – 9	11	1	409 252 000
5		2 – 9	15	1.5	409 253 000
6.35		1 – 18	12.6	2.5	409 254 000
7		2 – 32	20	3	409 256 000
7	S-standard, can be detached with medium force	0.7 – 20	18	2	409 255 000
7.2		0.7 – 11	18	2	409 257 000
8.2		2 – 14	36	3	409 258 000
10		NR-non-removable	1.5 – 20	21.5	4

We reserve the right to amend specifications at any time.