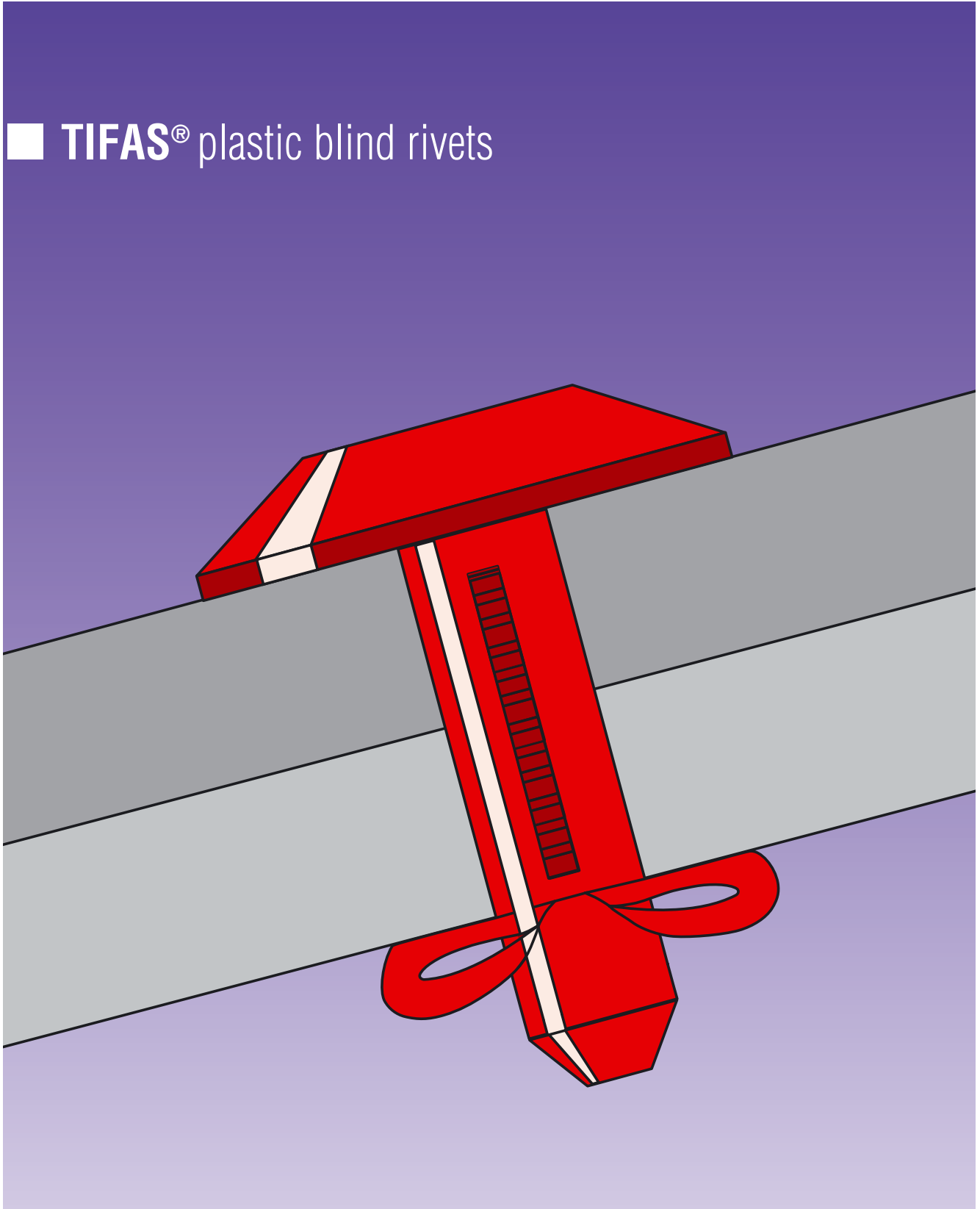


■ TIFAS[®] plastic blind rivets



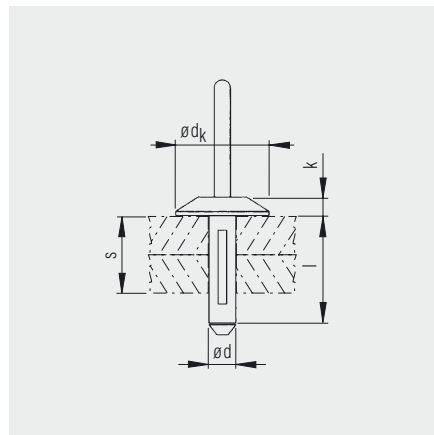
TIFAS® plastic blind rivets

- finished surfaces will not be damaged
- quick and easy to set using standard riveting tools
- non-conductive
- non-corrosive

Material

 **Sleeve**
Polyamid PA

 **Mandrel**
Polyoxymethylen POM



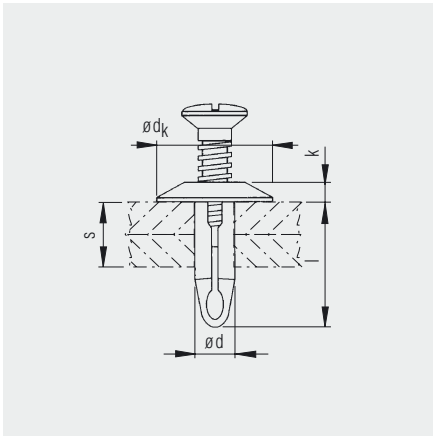
Nominal size \varnothing max. d [mm]	Hole- \varnothing [mm]	Grip range s [mm]	Sleeve length l [mm]	Head		Colour	Part No.
				$\varnothing d_k$ [mm]	Height k [mm]		
4.5	4.0 – 4.5	6 – 10.5	26	15.5 x 8.5	2.5	black	409 200 000
5.5	5.0 – 5.5	1.5 – 4.5	18.5	12	3.3	black	409 201 000
	5.0 – 5.5	3 – 6	20	12	1.8	black	409 202 000
	5.0 – 5.5	6 – 10	25	12	1.8	black	409 203 000
6.8	6.3 – 6.8	4 – 10	28	17	2.5	black	409 204 000
7.5	7.0 – 7.5	2.5 – 6	24	18	2.6	black	409 205 000

Other dimensions available.

We reserve the right to amend specifications at any time.

Installation tools (extract from our range)





- quick and easy to install
- can be installed by hand or machine
- removable and reusable

Material

■ Polyamid PA

Nominal size ø max. d [mm]	Hole - ø A [mm]	Grip range s [mm]	Sleeve length l [mm]	Head ø dk [mm]	Colour	Part No.
5	5	2.5 – 3.5	17.5	11	black	435 220 000
5.8	5.8	4.5 – 7.5	20	11	black	435 221 000
6.8	6.3 – 6.8	2.5 – 8	22.8	15.5	black	435 222 000
8.5	8.0 – 8.5	3.5 – 8.5	20	15	black	435 223 000
6.3 ☒	6.3 qu	0.8 – 1.2	4.6	11.5	black	435 224 000

Other dimensions and forms available.

Hole diameter A must be adjusted to suit the grip range.

We reserve the right to amend specifications at any time.

Blind rivets

NOTES

