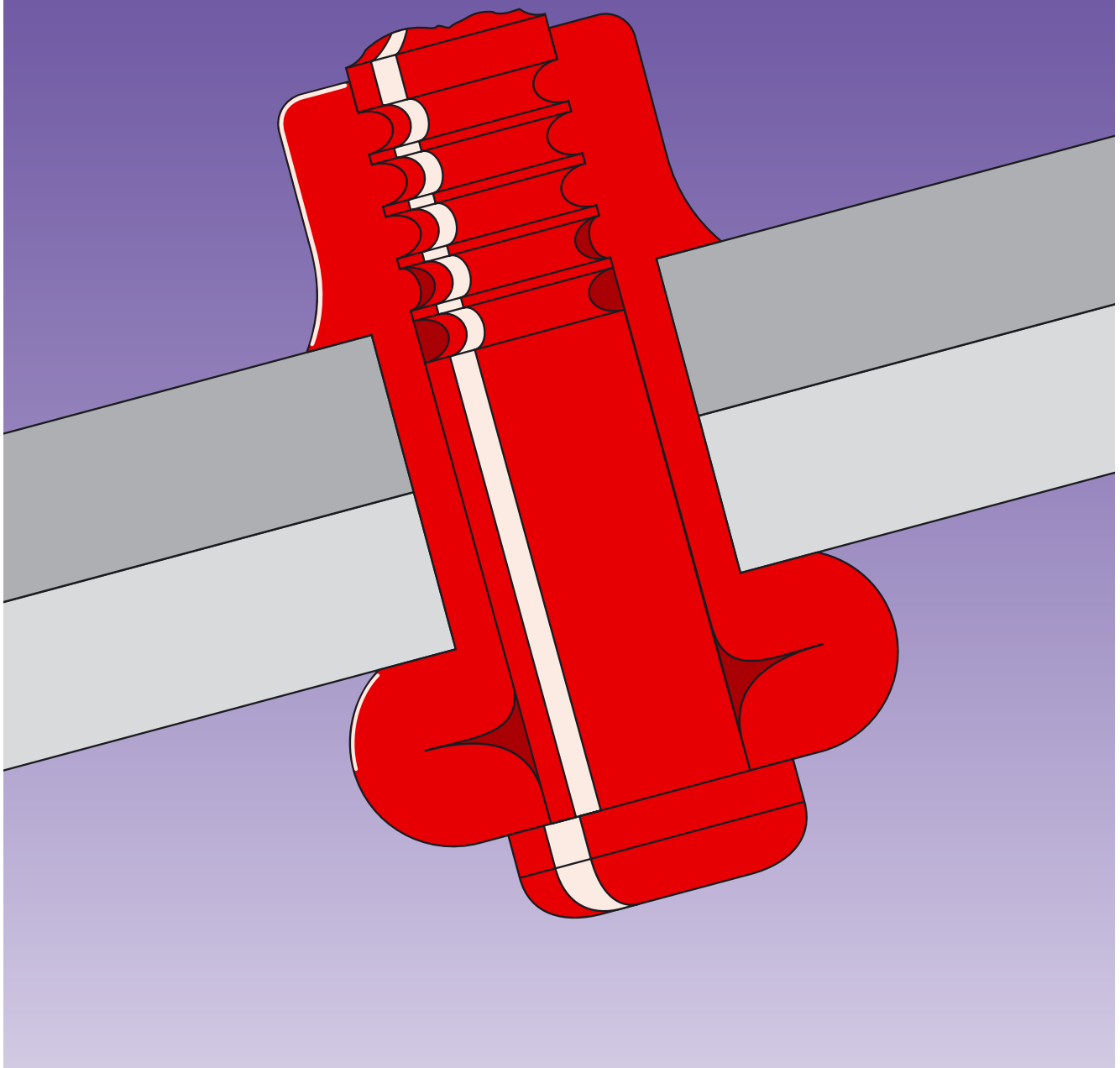


■ **BOM[®]** blind rivets



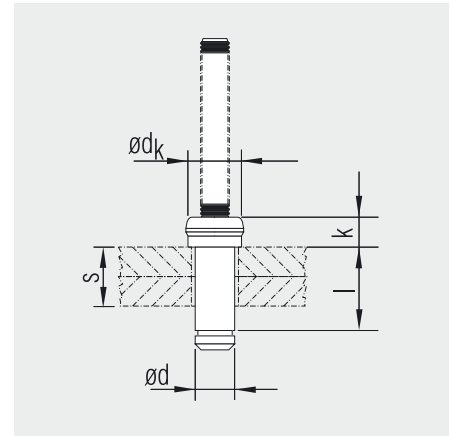
TITGEMEYER Td1414GB(1011)1

BOM® blind rivets

Material

Sleeve
Steel AISI 1006
 zinc, wax film

Mandrel
Steel AISI 1038
 black, wax film

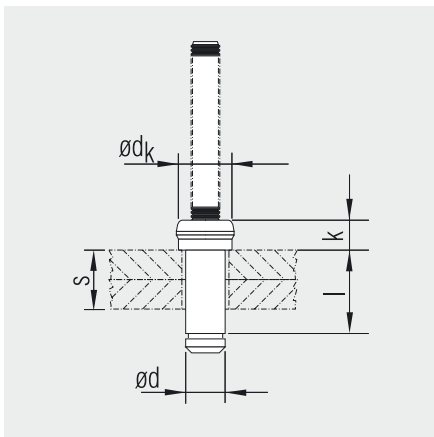


Nominal size-Ø d [mm]	Hole-Ø [mm]	Grip range s [mm]	Sleeve length l max [mm]	Head		Strength ¹ nominal		Part No.
				Ø dk max [mm]	Height k max [mm]	Shear [N]	Tensile [N]	
5.0	5.3 – 5.6	5.6 – 7.1	12.7	7.3	4.3	12460	8010	416 891
		7.2 – 8.7	14.3	7.3	4.3	12460	8010	416 892
6.5	7.0 – 7.4	4.0 – 5.6	13.3	9.7	5.7	22690	14460	416 901
		5.6 – 7.1	14.9	9.7	5.7	22690	14460	416 902
		7.2 – 8.7	16.5	9.7	5.7	22690	14460	416 903
		8.8 – 10.3	18.0	9.7	5.7	22690	14460	416 904
		10.3 – 11.9	19.6	9.7	5.7	22690	14460	416 905
		11.9 – 13.5	21.2	9.7	5.7	22690	14460	416 906
		16.7 – 18.3	26.0	9.7	5.7	22690	14460	416 909
		18.3 – 19.8	27.6	9.7	5.7	22690	14460	416 910
8.0	8.8 – 9.4	4.8 – 7.9	17.7	12.1	7.1	35810	23130	416 911
		8.0 – 11.1	20.8	12.1	7.1	35810	23130	416 912
		11.1 – 14.3	24.0	12.1	7.1	35810	23130	416 913
		14.3 – 17.5	27.2	12.1	7.1	35810	23130	416 914
		17.5 – 20.6	30.4	12.1	7.1	35810	23130	416 915
		20.7 – 23.8	33.5	12.1	7.1	35810	23130	416 916

¹ Minimum based on rivet failure

Other types on request.

We reserve the right to amend specifications at any time.



Material

Sleeve
Steel AISI 1006
zinc, wax film

Mandrel
Steel AISI 8640
black, wax film

Blind rivets

Nominal size- \varnothing d [mm]	Hole- \varnothing [mm]	Grip range s [mm]	Sleeve length l max [mm]	Head		Strength ¹ nominal		Part No.
				\varnothing d _k max [mm]	Height k max [mm]	Shear [N]	Tensile [N]	
9.6	10.5 – 11.1	4.8 – 7.9	19.5	14.3	8.3	49380	32250	416 920
		8.0 – 11.1	22.6	14.3	8.3	49380	32250	416 921
		11.1 – 14.3	25.8	14.3	8.3	49380	32250	416 922
		14.3 – 17.5	29.0	14.3	8.3	49380	32250	416 923
		17.5 – 20.6	32.2	14.3	8.3	49380	32250	416 924
		20.7 – 23.8	35.3	14.3	8.3	49380	32250	416 925
		23.8 – 27.0	38.5	14.3	8.3	49380	32250	416 926
		27.0 – 30.2	41.7	14.3	8.3	49380	32250	416 927
12.7	13.9 – 14.8	30.2 – 33.3	44.9	14.3	8.3	49380	32250	416 928
		9.6 – 12.7	28.6	19.2	11.1	89630	57830	416 930
		12.7 – 15.9	31.8	19.2	11.1	89630	57830	416 931
		15.9 – 19.1	34.9	19.2	11.1	89630	57830	416 932
16.0	17.5 – 18.5	19.1 – 22.2	38.1	19.2	11.1	89630	57830	416 933
		19.1 – 25.4	43.5	23.9	13.8	126770	91190	416 942
		31.8 – 38.1	56.2	23.9	13.8	126770	91190	416 944

¹ Minimum based on rivet failure

On request: • Other types
• Nominal size- \varnothing 19.0 mm

We reserve the right to amend specifications at any time.

NOTES

