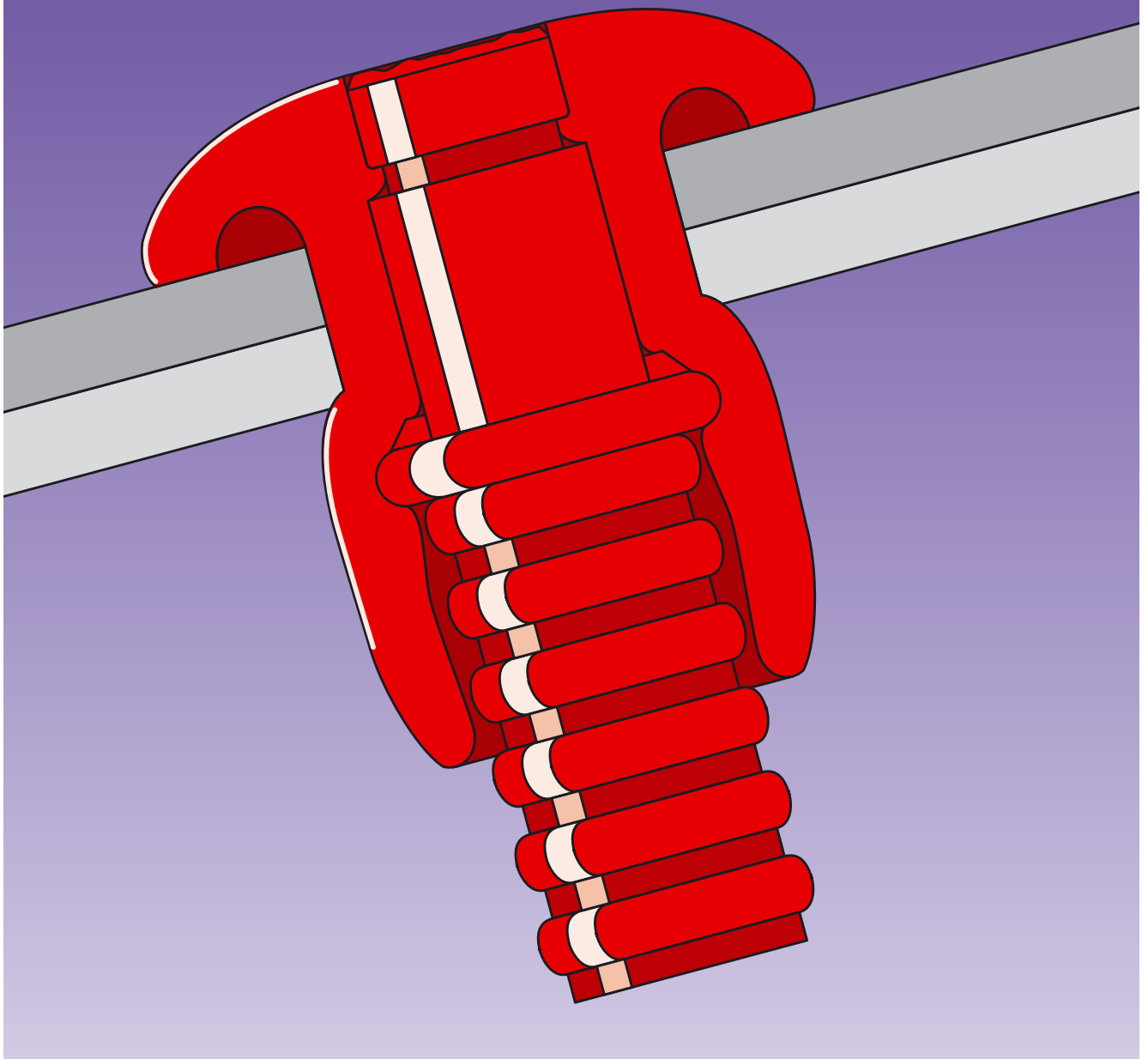


## ■ HUCKLOK™ blind rivets



TITGEMEYER Tb1413GB(1011)

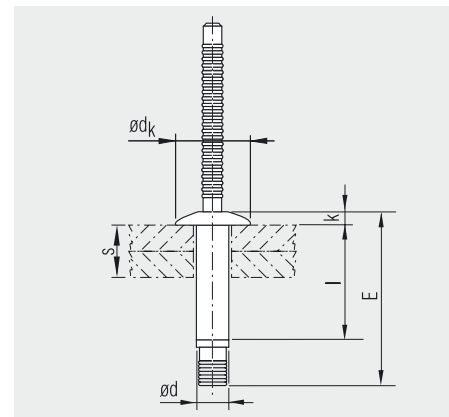
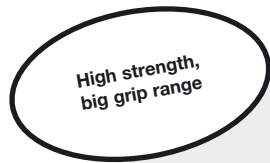
# HUCKLOK™ blind rivets

Dome head

## Material

**Sleeve**  
low-carbon steel  
zinc, chromated

**Mandrel Steel**  
zinc, chromated



Nominal size- $\varnothing$ d [mm]	Hole- $\varnothing$ [mm]	Grip range s [mm]	Sleeve length l [mm]	Head		E [mm]	Strength <sup>1</sup> nominal		Part No.
				$\varnothing$ $d_k \pm 0.5$ [mm]	Height k $\pm 0.2$ [mm]		Shear [N]	Tensile [N]	
6.4	6.6 – 6.9	2.0 – 9.5	14.2	13.0	3.0	28.3	16900	9700	415 290
		4.8 – 11.1	15.8	13.0	3.0	29.9	16900	9700	415 291
		9.5 – 15.9	20.6	13.0	3.0	34.7	16900	9700	415 292
		15.9 – 22.2	26.9	13.0	3.0	41.1	16900	9700	415 294
		22.2 – 28.6	33.3	13.0	3.0	47.4	16900	9700	on request
		25.4 – 31.8	36.5	13.0	3.0	50.6	16900	9700	on request

<sup>1</sup> Minimum based on rivet failure

We reserve the right to amend specifications at any time.