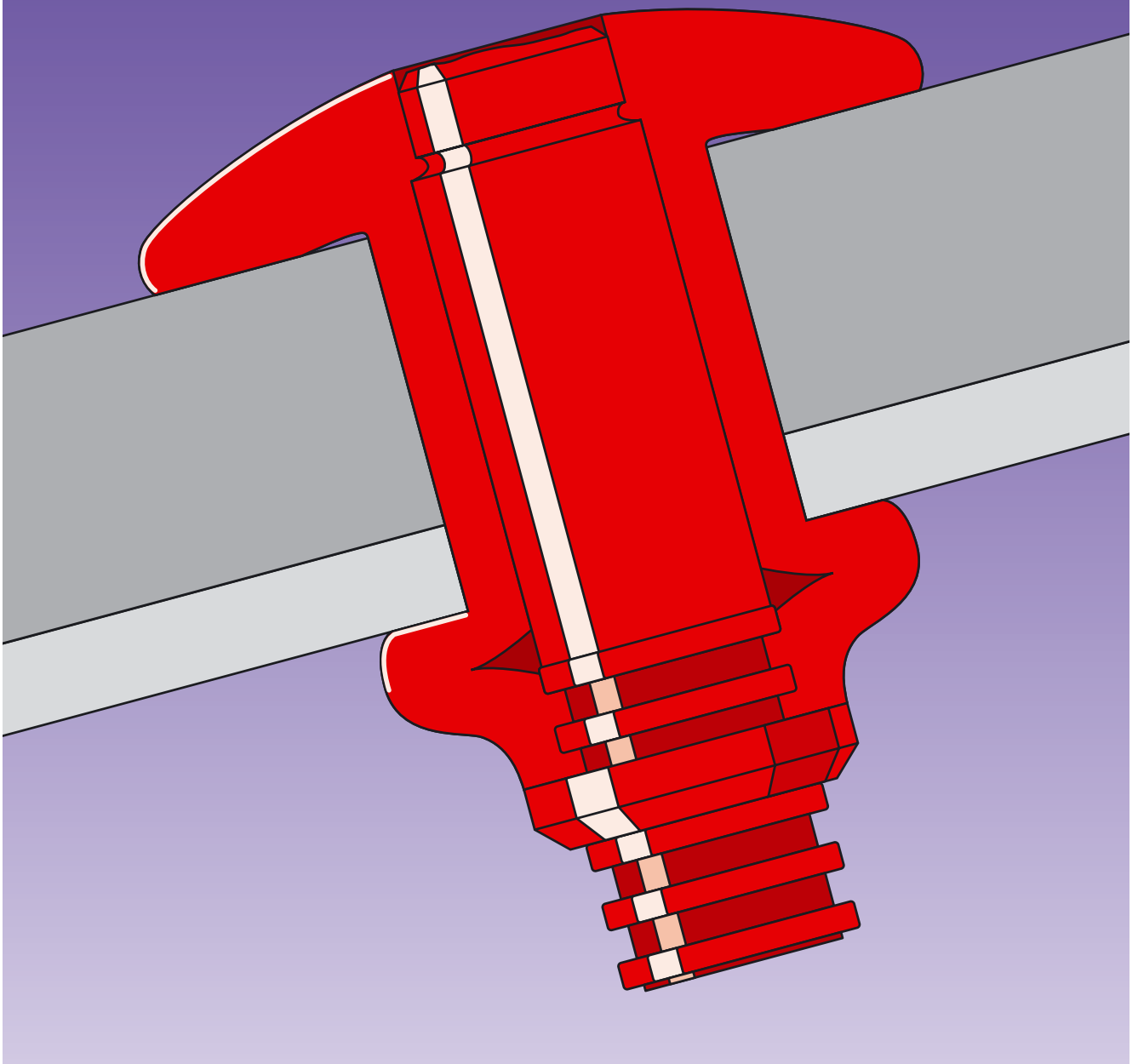


■ MAGNA BULB[®] blind rivets



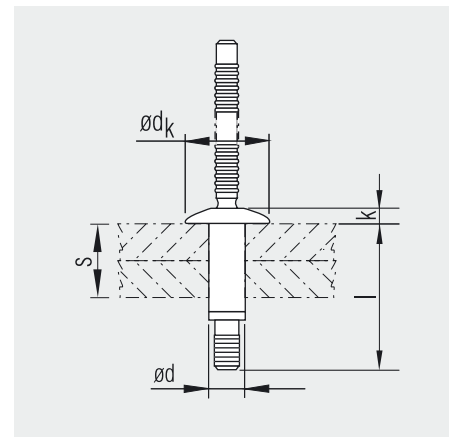
MAGNA BULB® blind rivets

Dome head

Material

Sleeve
Steel SAE 1006
zinc, chromated

Mandrel
Steel SAE 10B22
zinc, chromated



Nominal size- \varnothing d [mm]	Hole- \varnothing [mm]	Grip range s [mm]	Sleeve length l max [mm]	Head		Strength ¹ nominal		Part No.
				\varnothing d _k max [mm]	Height k max [mm]	Shear [N]	Tensile [N]	
4.8	4.9 – 5.1	1.2 – 2.8	15.0	9.9	2.6	8670	4670	415 242
		2.2 – 3.8	17.1	9.9	2.6	8670	4670	415 243
		3.2 – 4.8	17.7	9.9	2.6	8670	4670	415 244
		4.2 – 5.8	18.6	9.9	2.6	8670	4670	415 245
		5.2 – 6.8	19.7	9.9	2.6	8670	4670	415 246
		6.2 – 7.8	20.7	9.9	2.6	8670	4670	415 247
		7.2 – 8.8	21.7	9.9	2.6	8670	4670	415 248
		8.2 – 9.8	22.7	9.9	2.6	8670	4670	415 249
		9.2 – 10.8	23.7	9.9	2.6	8670	4670	415 250
6.4	6.6 – 6.9	1.5 – 3.5	19.3	13.5	3.2	11560	8450	415 222
		2.8 – 4.8	21.9	13.5	3.2	12000	8450	415 223
		3.8 – 5.8	23.9	13.5	3.2	12300	8450	415 224
		4.8 – 6.8	23.2	13.5	3.2	13300	8450	415 225
		5.8 – 7.8	23.9	13.5	3.2	14200	8450	415 226
		6.8 – 8.8	24.9	13.5	3.2	15570	8450	415 227
		7.8 – 9.8	25.9	13.5	3.2	15570	8450	415 228
		8.8 – 10.8	26.9	13.5	3.2	15570	8450	415 229
		9.8 – 11.8	27.9	13.5	3.2	15570	8450	415 230
		10.8 – 12.8	28.9	13.5	3.2	15570	8450	415 231
8.0	8.3 – 8.6	11.8 – 13.8	30.0	13.5	3.2	15570	8450	415 232
		12.8 – 14.8	30.9	13.5	3.2	15570	8450	415 233
8.0	8.3 – 8.6	3.8 – 6.4	28.1	16.8	3.9	22240	13170	415 263

¹ Minimum based on rivet failure

- On request:
- Other types
 - Other surface coatings/properties
 - Nominal size 6.4 mm, special design with extra-short rivet sleeve to reduce projection on the blind side e.g. Part No. 415 254, 415 255, 415 257, 415 259 and 415 261
 - Fitted with black neoprene washer

We reserve the right to amend specifications at any time.