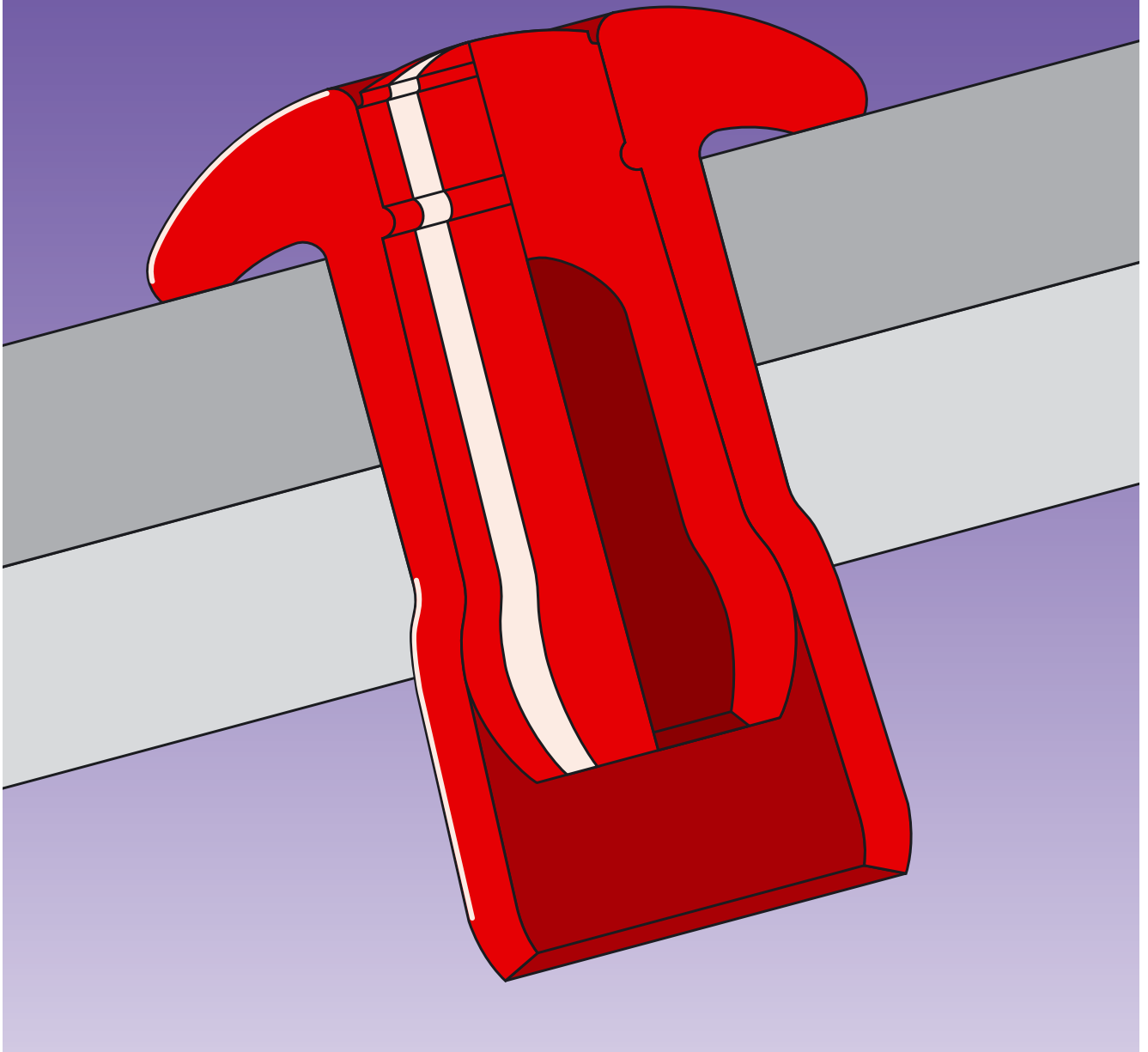


■ M-LOCK blind rivets



TITGEMEYER Td1411GB(1011)1

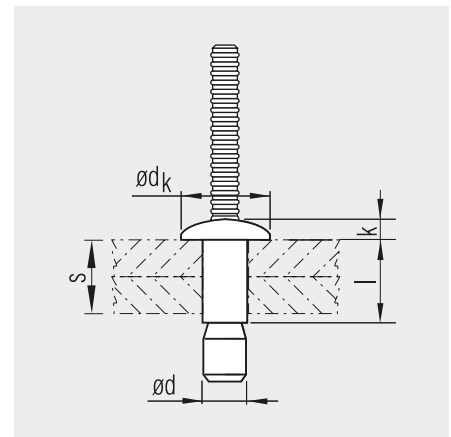
M-LOCK blind rivets

Dome head

Material

Sleeve
Steel SAE 1006/1020M
 zinc, chromated

Mandrel
Steel AISI 10B21/10B22M
 zinc, chromated



Nominal size- \varnothing d [mm]	Hole- \varnothing [mm]	Grip range s [mm]	Sleeve length l max [mm]	Head		Strength ¹ nominal		Part No.
				\varnothing d _k max [mm]	Height k max [mm]	Shear [N]	Tensile [N]	
4.8	4.9 – 5.1	1.6 – 6.9	10.5	9.8	2.2	5783	4448	415 810
		5.4 – 11.1	14.5	9.8	2.2	5783	4448	415 811
		1.6 – 11.1	14.5	9.8	2.2	5783	4448	415 812
6.4	6.6 – 6.9	2.0 – 9.5	14.2	13.3	3.0	11121	8229	415 820
		8.9 – 15.9	20.6	13.3	3.0	11121	8229	415 821
		2.0 – 15.9	20.6	13.3	3.0	11121	8229	415 822
9.8	10.0 – 10.4	3.1 – 14.2	21.3	20.0	4.5	26689	17793	415 890

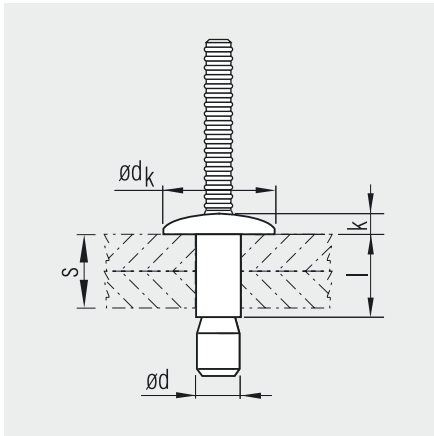
¹ Minimum based on rivet failure

- On request:
- Other surface coatings/properties
 - Nominal size 4.8 mm and 6.4 mm fitted with black neoprene washer

We reserve the right to amend specifications at any time.

M-LOCK blind rivets

Blind rivets



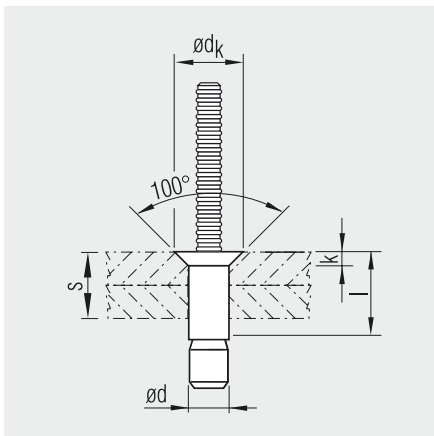
Large dome head

Material

- **Sleeve**
Steel SAE 1006/1020M
zinc, chromated
- **Mandrel**
Steel AISI 10B21/10B22M
zinc, chromated

Nominal size-ø d [mm]	Hole-ø [mm]	Grip range s [mm]	Sleeve length l max [mm]	Head		Strength ¹ nominal		Part No.
				ø dk max [mm]	Height k max [mm]	Shear [N]	Tensile [N]	
4.8	4.9 – 5.1	5.4 – 11.1	14.5	12.7	2.2	5783	4448	415 816
6.4	6.6 – 6.9	2.0 – 9.5	14.2	14.9	3.0	11121	8229	415 825

¹ Minimum based on rivet failure



Countersunk head 100°

Material

- **Sleeve**
Steel SAE 1006/1020M
zinc, chromated
- **Mandrel**
Steel AISI 10B21/10B22M
zinc, chromated

Nominal size-ø d [mm]	Hole-ø [mm]	Grip range s [mm]	Sleeve length l max [mm]	Head		Strength ¹ nominal		Part No.
				ø dk max [mm]	Height k max [mm]	Shear [N]	Tensile [N]	
4.8	4.9 – 5.1	3.2 – 8.4	12.3	8.8	1.8	5783	4448	415 850
		7.8 – 12.7	16.6	8.8	1.8	5783	4448	415 851
6.4	6.6 – 6.9	4.1 – 12.1	16.8	10.3	2.0	11121	8229	415 860
		10.5 – 18.4	23.1	10.3	2.0	11121	8229	415 861

¹ Minimum based on rivet failure

We reserve the right to amend specifications at any time.

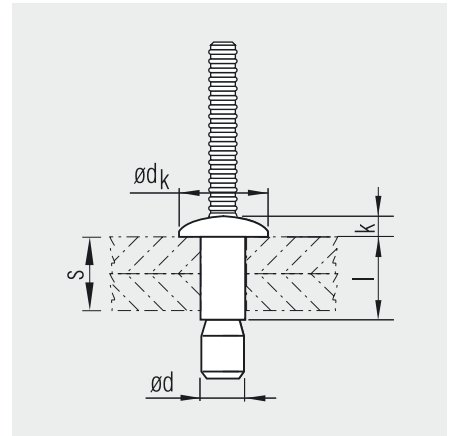
M-LOCK blind rivets

Dome head

Material

Sleeve
Aluminium AA 5056
chromated

Mandrel
Aluminium AA 7075
chromated



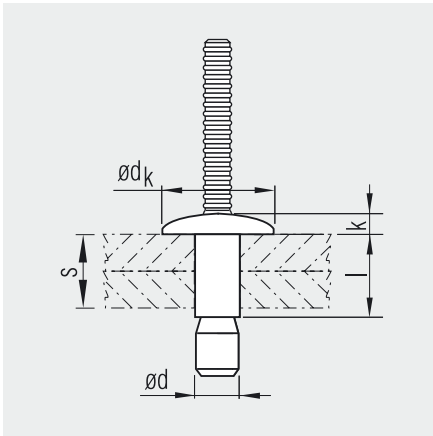
Nominal size- \varnothing d [mm]	Hole- \varnothing [mm]	Grip range s [mm]	Sleeve length l max [mm]	Head		Strength ¹ nominal		Part No.
				\varnothing d _k max [mm]	Height k max [mm]	Shear [N]	Tensile [N]	
4.8	4.9 – 5.1	1.6 – 6.9	10.5	9.8	2.2	2669	2224	415 830
		5.4 – 11.1	14.5	9.8	2.2	2669	2224	415 831
		1.6 – 11.1	14.5	9.8	2.2	2669	2224	415 832
6.4	6.6 – 6.9	2.0 – 9.5	14.2	13.3	3.0	5783	3959	415 840
		8.9 – 15.9	20.6	13.3	3.0	5783	3959	415 841
		2.0 – 15.9	20.6	13.3	3.0	5783	3959	415 842
9.8	10.0 – 10.4	3.1 – 14.2	21.3	20.0	4.5	13122	8452	415 895

¹ Minimum based on rivet failure

Other surface coatings/properties on request.

We reserve the right to amend specifications at any time.

M-LOCK blind rivets



Large dome head

Material

Sleeve
Aluminium AA 5056
chromated

Mandrel
Aluminium AA 7075
chromated

Nominal size- \varnothing d [mm]	Hole- \varnothing [mm]	Grip range s [mm]	Sleeve length l max [mm]	Head		Strength ¹ nominal		Part No.
				\varnothing dk max [mm]	Height k max [mm]	Shear [N]	Tensile [N]	
4.8	4.9 – 5.1	5.4 – 11.1	14.5	12.7	2.2	2669	2224	415 836

¹ Minimum based on rivet failure

- On request:
- Other types
 - Other surface coatings/properties
 - Nominal size 6.4 mm, material aluminium

We reserve the right to amend specifications at any time.

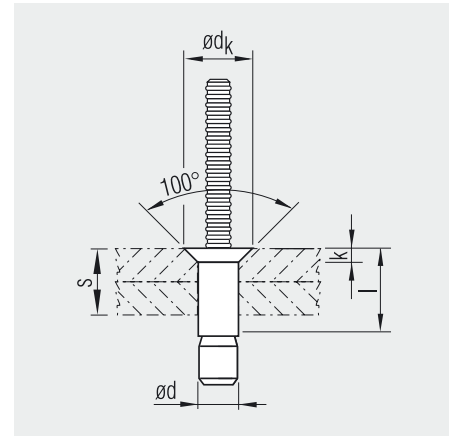
M-LOCK blind rivets

Countersunk head 100°

Material

Sleeve
Aluminium AA 5056
chromated

Mandrel
Aluminium AA 7075
chromated



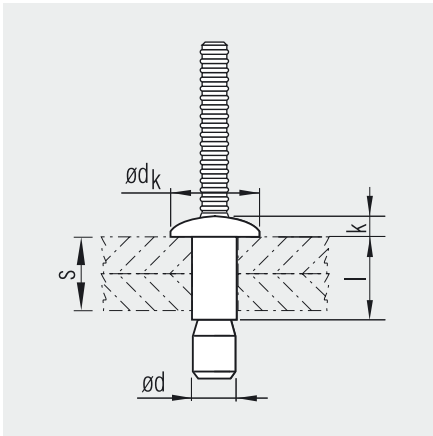
Nominal size- \varnothing d [mm]	Hole- \varnothing [mm]	Grip range s [mm]	Sleeve length l max [mm]	Head		Strength ¹ nominal		Part No.
				\varnothing d _{k max} [mm]	Height k max [mm]	Shear [N]	Tensile [N]	
4.8	4.9 – 5.1	3.2 – 8.4	12.3	8.8	1.8	2669	2224	415 870
		7.8 – 12.7	16.6	8.8	1.8	2669	2224	415 871
6.4	6.6 – 6.9	4.1 – 12.1	16.8	10.3	2.0	5783	3959	415 880
		10.5 – 18.4	23.1	10.3	2.0	5783	3959	415 881

¹ Minimum based on rivet failure

- On request:
- Other types
 - Other surface coatings/properties

We reserve the right to amend specifications at any time.

M-LOCK blind rivets



Dome head

Material

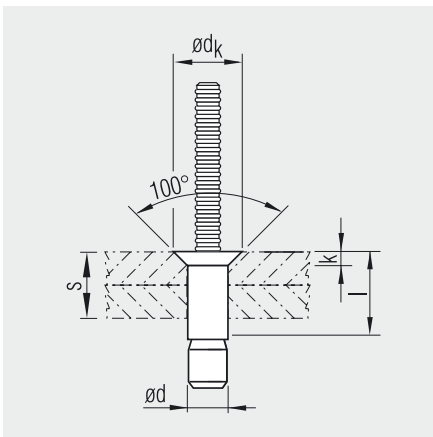
Sleeve
Stainless steel AISI 302
passivated

Mandrel
Stainless steel AISI 305/304



Nominal size-ø d [mm]	Hole-ø [mm]	Grip range s [mm]	Sleeve length l max [mm]	Head		Strength ¹ nominal		Part No.
				ø dk max [mm]	Height k max [mm]	Shear [N]	Tensile [N]	
4.8	4.9 – 5.1	1.6 – 6.9	10.5	9.8	2.2	5783	4226	415 910
		5.4 – 11.1	14.5	9.8	2.2	5783	4226	415 911
6.4	6.6 – 6.9	2.0 – 9.5	14.2	13.3	3.0	10453	8006	415 920
		8.9 – 15.9	20.6	13.3	3.0	10453	8006	415 921

¹ Minimum based on rivet failure



Countersunk head 100°

Material

Sleeve
Stainless steel AISI 302
passivated

Mandrel
Stainless steel AISI 305/304



Nominal size-ø d [mm]	Drill Hole-ø [mm]	Grip range s [mm]	Sleeve length l max [mm]	Head		Strength ¹ nominal		Part No.
				ø dk max [mm]	Height k max [mm]	Shear [N]	Tensile [N]	
6.4	6.6 – 6.9	4.1 – 12.1	16.8	10.3	2.0	10453	8006	415 960
		10.6 – 18.4	23.1	10.3	2.0	10453	8006	415 961

¹ Minimum based on rivet failure

Other types on request.

We reserve the right to amend specifications at any time.

NOTES

