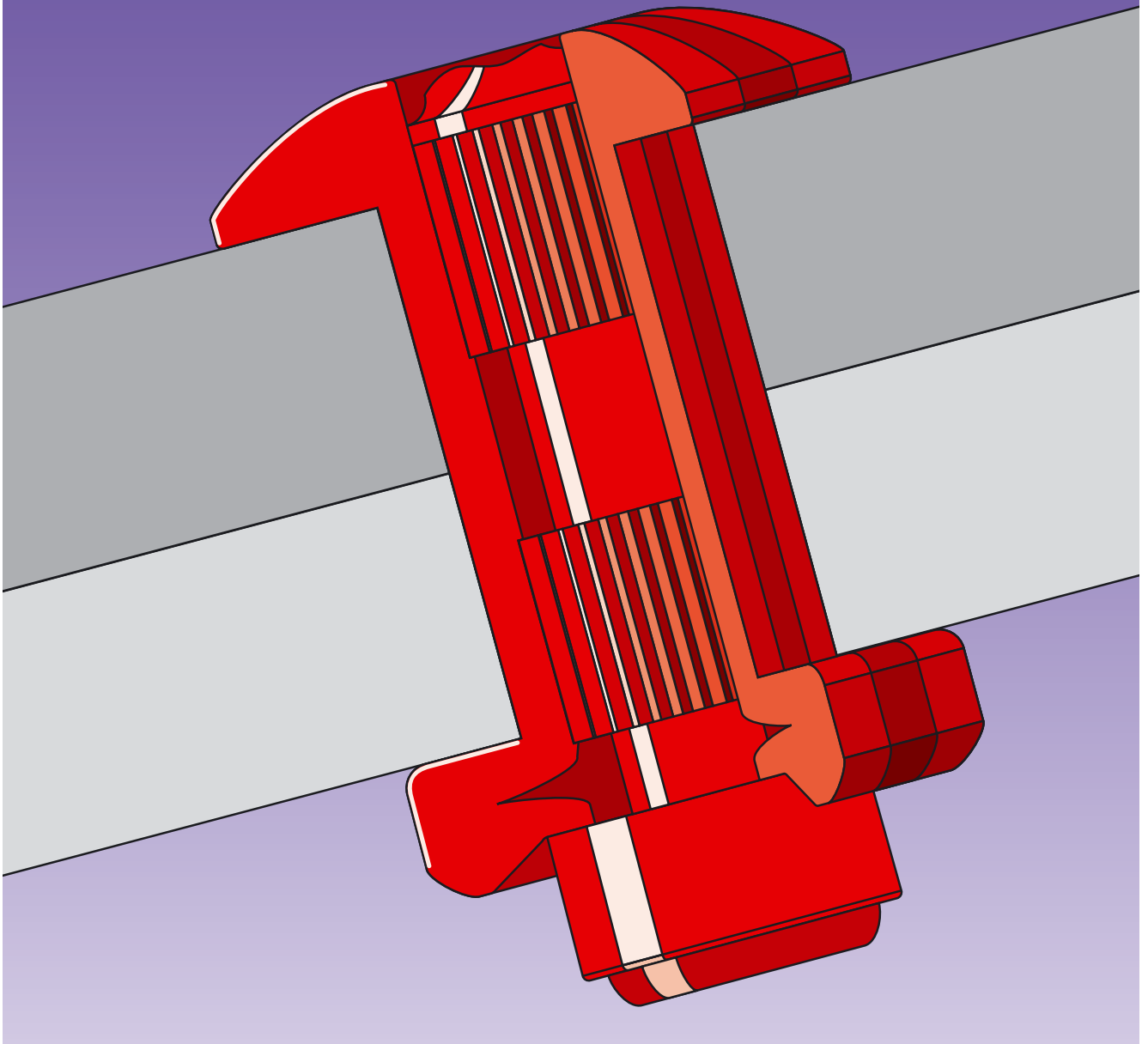


■ TIBULB blind rivets



TITGEMEYER Td1410GB(1011)1

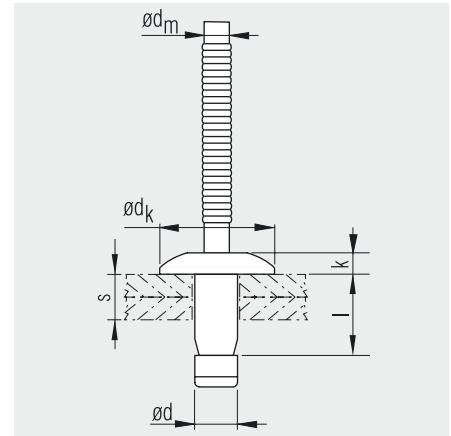
TIBULB blind rivets

Dome head

Material

Sleeve
Steel SAE 1006
zinc, passivate

Mandrel
Steel SAE 1015/1022
zinc, passivate



Nominal size- \varnothing d [mm]	Hole- \varnothing [mm]	Grip range s [mm]	Sleeve $l \pm 0.3$ [mm]	Head		Mandrel \varnothing d_m^{nom} [mm]	Strength ¹ nominal		Part No.
				\varnothing $d_k \pm 0.3$ [mm]	Height $k \pm 0.2$ [mm]		Shear [N]	Tensile [N]	
4.8	4.9 – 5.1	1.5 – 3.5	9.0	9.8	2.2	3.0	4513	3532	413 010
		3.5 – 6.0	11.5	9.8	2.2	3.0	5984	3532	413 011
		6.0 – 8.5	14.0	9.8	2.2	3.0	6278	3532	413 012
		8.5 – 11.0	16.5	9.8	2.2	3.0	6278	3532	413 013
		11.0 – 13.5	19.0	9.8	2.2	3.0	6278	3532	–
6.4	6.6 – 6.8	1.5 – 3.5	9.0	13.0	3.0	4.2	6867	6475	413 019
		2.8 – 4.8	10.5	13.0	3.0	4.2	9221	6475	413 020
		3.4 – 5.4	11.1	13.0	3.0	4.2	9221	6475	413 018
		4.8 – 6.8	12.5	13.0	3.0	4.2	10202	6475	413 021
		6.8 – 8.8	14.5	13.0	3.0	4.2	11183	6475	413 022
		8.8 – 10.8	16.5	13.0	3.0	4.2	11183	6475	413 023
		10.8 – 12.8	18.5	13.0	3.0	4.2	11183	6475	413 024
		12.8 – 14.8	20.5	13.0	3.0	4.2	11183	6475	413 025
		14.8 – 16.8	22.5	13.0	3.0	4.2	11183	6475	413 026
		16.8 – 18.8	24.5	13.0	3.0	4.2	11183	6475	–
		18.8 – 20.8	26.5	13.0	3.0	4.2	11183	6475	–
		20.8 – 22.8	28.5	13.0	3.0	4.2	11183	6475	–
		22.8 – 24.8	30.5	13.0	3.0	4.2	11183	6475	–
7.8	8.0 – 8.3	4.0 – 7.0	13.5	16.0 ²	3.7 ²	5.1	13832	9124	413 080
		7.0 – 10.0	16.5	16.0 ²	3.7 ²	5.1	15696	9124	413 081
		10.0 – 13.0	19.5	16.0 ²	3.7 ²	5.1	15696	9124	413 082
		13.0 – 16.0	22.5	16.0 ²	3.7 ²	5.1	15696	9124	413 084
		16.0 – 19.0	25.5	16.0 ²	3.7 ²	5.1	15696	9124	–
		19.0 – 22.0	28.5	16.0 ²	3.7 ²	5.1	15696	9124	–
		22.0 – 25.0	31.5	16.0 ²	3.7 ²	5.1	15696	9124	–

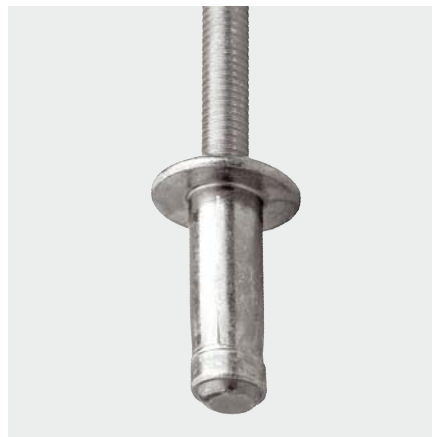
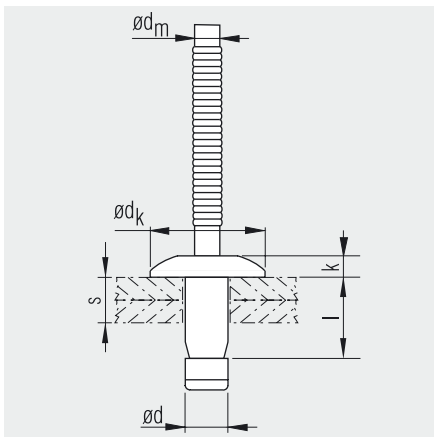
¹ Minimum based on rivet failure

² Tolerances at $d_k \pm 0.4$ mm; at $k \pm 0.3$ mm

- On request:
- Nominal size 4.8 mm with large head 14.0 mm, e.g. Part No. 413 037
 - Nominal size 6.4 mm with large head 16.3 mm and 19.0 mm
 - Countersunk head
 - Other surface coatings/properties, e.g. Part No. 413 069 black

We reserve the right to amend specifications at any time.

TIBULB Plus blind rivets



Dome head,
with wide grip range

Material

Sleeve
Steel SAE 1006/1018
or equivalent
zinc, passivate

Mandrel
Steel SAE 10B21/10B35
zinc, passivate

Nominal size- \varnothing d [mm]	Hole- \varnothing [mm]	Grip range s [mm]	Sleeve $l \pm 0.3$ [mm]	Head		Mandrel \varnothing d_m^{nom} [mm]	Strength ¹ nominal		Part No.
				\varnothing $d_k \pm 0.3$ [mm]	Height $k \pm 0.2$ [mm]		Shear [N]	Tensile [N]	
6.5	6.7 – 6.9	2.0 – 4.5	10.5	13.0	3.0	4.2	10791	7946	413 015
		3.0 – 6.5	12.5	13.0	3.0	4.2	12263	7946	413 016
		5.0 – 8.5	14.5	13.0	3.0	4.2	13734	7946	413 017
		7.0 – 10.5	16.5	13.0	3.0	4.2	14126	7946	413 003
		9.0 – 12.5	18.5	13.0	3.0	4.2	15402	7946	413 004
		11.0 – 14.5	20.5	13.0	3.0	4.2	15402	7946	413 005
		13.0 – 16.5	22.5	13.0	3.0	4.2	15402	7946	413 006

¹ Minimum based on rivet failure

On request: • Other types
• Other surface coatings/properties

We reserve the right to amend specifications at any time.

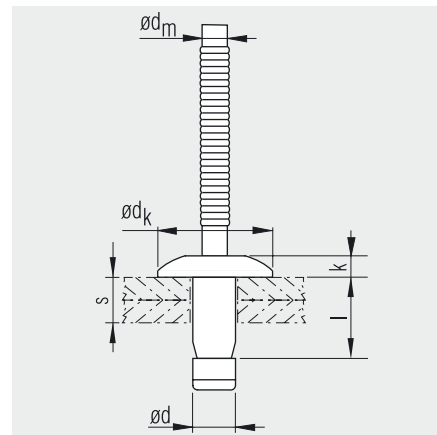
TIBULB blind rivets

Dome head

Material

Sleeve
Aluminium, AlMg 2.5
AA 5052/3.3523

Mandrel
Aluminium, AlMg 5.0 / 6.0

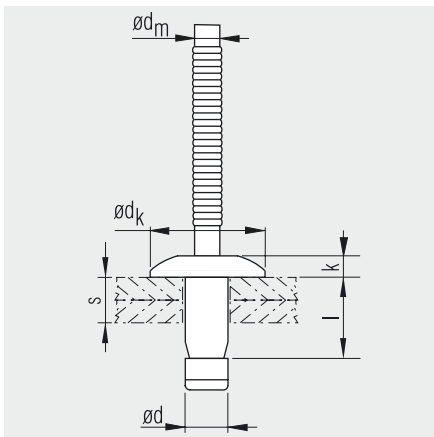


Nominal size- \varnothing d [mm]	Hole- \varnothing [mm]	Grip range s [mm]	Sleeve $l \pm 0.3$ [mm]	Head		Mandrel \varnothing $d_{m \text{ nom}}$ [mm]	Strength ¹ nominal		Part No.
				\varnothing $d_k \pm 0.3$ [mm]	Height $k \pm 0.2$ [mm]		Shear [N]	Tensile [N]	
6.4	6.6 – 6.8	2.8 – 4.8	10.5	13.0	3.0	4.2	4218	3434	413 060
		4.8 – 6.8	12.5	13.0	3.0	4.2	4513	3434	413 061
		6.8 – 8.8	14.5	13.0	3.0	4.2	4905	3434	413 062
		8.8 – 10.8	16.5	13.0	3.0	4.2	4905	3434	413 063
		10.8 – 12.8	18.5	13.0	3.0	4.2	4905	3434	413 064
		12.8 – 14.8	20.5	13.0	3.0	4.2	4905	3434	413 065

¹ Minimum based on rivet failure

Countersunk head on request.

We reserve the right to amend specifications at any time.



Dome head

Material

Sleeve
Stainless steel,
AISI 304Cu/1.4567

Mandrel
Stainless steel,
AISI 304Cu/1.4567



Nominal size- \varnothing d [mm]	Hole- \varnothing [mm]	Grip range s [mm]	Sleeve $l \pm 0.3$ [mm]	Head		Mandrel $d_m \text{ nom}$ [mm]	Strength ¹ nominal		Part No.
				\varnothing $d_k \pm 0.3$ [mm]	Height $k \pm 0.2$ [mm]		Shear [N]	Tensile [N]	
4.8	4.9 – 5.1	1.5 – 3.5	9.0	9.8	2.2	3.0	6080	5000	413 096
		3.5 – 6.0	11.5	9.8	2.2	3.0	6870	5000	413 097
		6.0 – 8.5	14.0	9.8	2.2	3.0	6870	5000	413 099
		8.5 – 11.0	16.5	9.8	2.2	3.0	6870	5000	413 086
		11.0 – 13.0	19.0	9.8	2.2	3.0	6870	5000	413 098
6.4	6.6 – 6.8	2.0 – 4.5	10.5	13.0	3.0	4.2	14126	8339	413 090
		4.0 – 6.5	12.5	13.0	3.0	4.2	14519	8339	413 091
		5.0 – 8.5	14.5	13.0	3.0	4.2	14519	8339	413 092
	6.5 – 6.7	7.0 – 10.5	16.5	13.0	3.0	4.2	14519	8339	413 093
		9.0 – 12.5	18.5	13.0	3.0	4.2	14519	8339	413 094
		11.0 – 14.5	20.5	13.0	3.0	4.2	14519	8339	413 095
7.8	8.0 – 8.3	4.0 – 7.0	13.5	16.0	3.8	5.2	20110	12750	413 150
		7.0 – 10.0	16.5	16.0	3.8	5.2	21580	12750	413 151
		10.0 – 13.0	19.5	16.0	3.8	5.2	21580	12750	413 152
		13.0 – 16.0	22.5	16.0	3.8	5.2	21580	12750	–

¹ Minimum based on rivet failure

Note: A special tool is required to install TIBULB blind rivet \varnothing 7.8

We reserve the right to amend specifications at any time.

