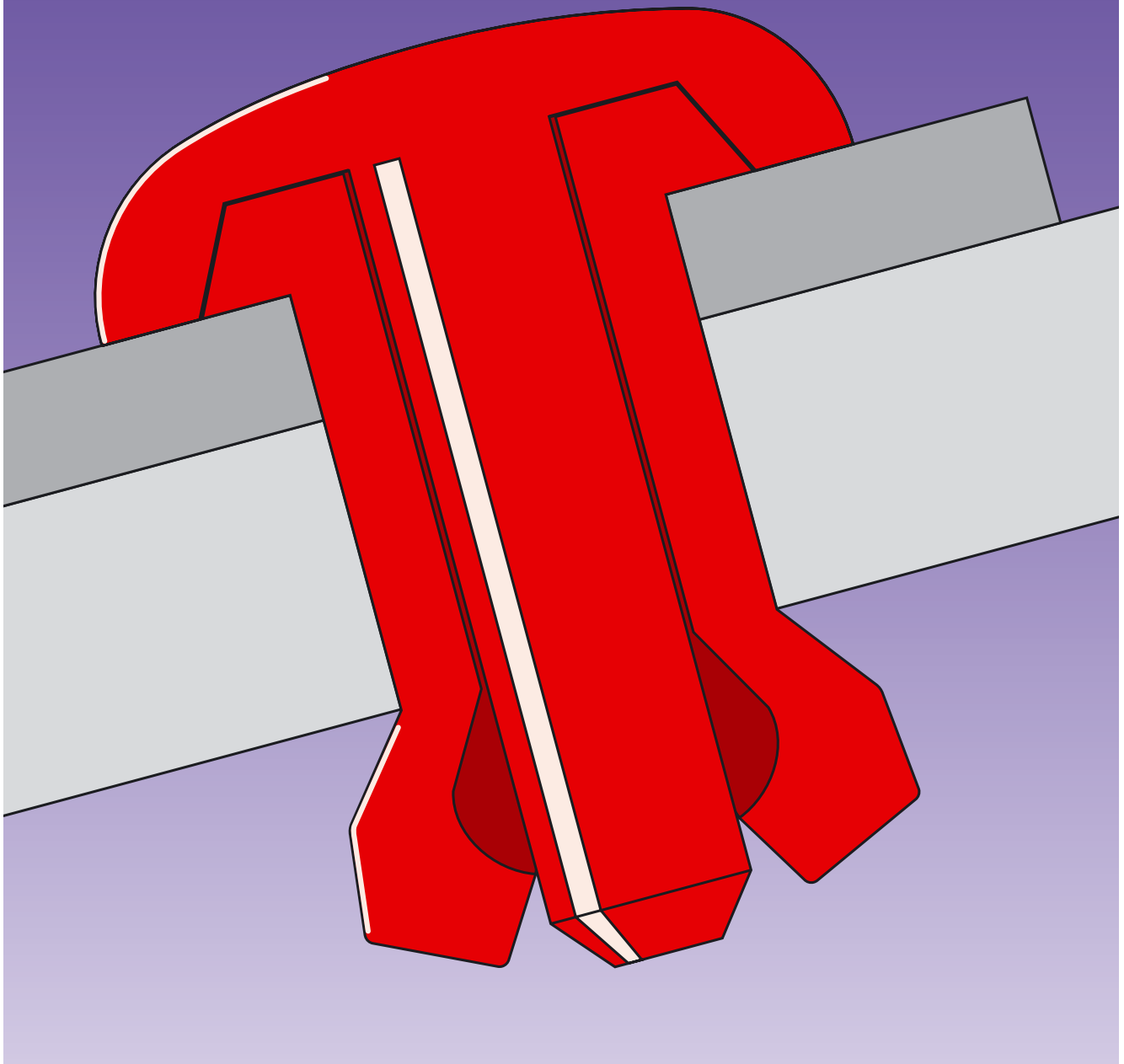


## ■ TIFAS<sup>®</sup> plastic clic rivets

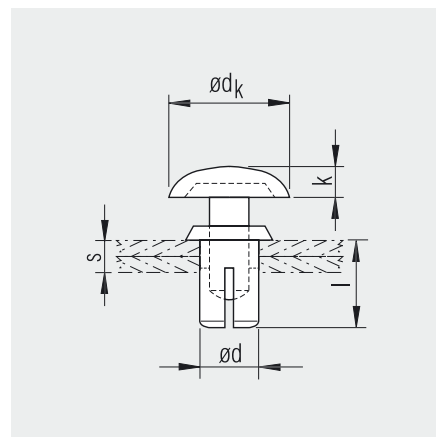


TITGEMEYER Tb1409GB(1011)1

# TIFAS® plastic clic rivets

## Material

Plastic PA 6.6



Nominal size- $\varnothing$ $d$ [mm]	Hole- $\varnothing$ tolerance -0.1 mm [mm]	Grip range $s$ [mm]	Head		Shaft length $l$ <i>max</i> [mm]	Number of slits in sleeve	Part No.	
			$\varnothing$ $d_k$ [mm]	Height $k$ [mm]			Colour black	Colour white
<b>3.0</b>	3.2	1.0–2.0	6.5	2.0	3.5	2 slits	<b>409 530</b>	<b>409 630</b>
		2.0–3.0	6.5	2.0	4.5	2 slits	<b>409 531</b>	<b>409 631</b>
		3.0–4.0	6.5	2.0	5.5	2 slits	<b>409 532</b>	<b>409 632</b>
		4.0–5.0	6.5	2.0	6.5	2 slits	<b>409 533</b>	<b>409 633</b>
		5.0–6.0	6.5	2.0	8.0	2 slits	<b>409 534</b>	<b>409 634</b>
<b>4.0</b>	4.3	1.5–2.5	8.0	2.0	4.5	4 slits	<b>409 540</b>	<b>409 640</b>
		2.5–3.5	8.0	2.0	5.5	4 slits	<b>409 541</b>	<b>409 641</b>
		3.5–4.5	8.0	2.0	6.5	4 slits	<b>409 542</b>	<b>409 642</b>
		4.5–5.5	8.0	2.0	7.5	4 slits	<b>409 543</b>	<b>409 643</b>
		5.5–6.5	8.0	2.0	8.5	4 slits	<b>409 544</b>	<b>409 644</b>
<b>5.0</b>	5.3	1.5–2.5	9.0	2.0	4.5	5 slits	<b>409 550</b>	<b>409 650</b>
		2.5–3.5	9.0	2.0	5.5	5 slits	<b>409 551</b>	<b>409 651</b>
		3.5–4.5	9.0	2.0	6.5	5 slits	<b>409 552</b>	<b>409 652</b>
		4.5–5.5	9.0	2.0	7.5	5 slits	<b>409 553</b>	<b>409 653</b>
		5.5–6.5	9.0	2.0	8.5	5 slits	<b>409 554</b>	<b>409 654</b>
		6.5–7.5	9.0	2.0	9.5	5 slits	<b>409 555</b>	<b>409 655</b>
		7.5–8.5	9.0	2.0	10.5	5 slits	<b>409 556</b>	<b>409 656</b>
<b>6.0</b>	6.5	1.5–2.5	11.0	3.0	4.5	5 slits	<b>409 560</b>	<b>409 660</b>
		2.5–3.5	11.0	3.0	5.5	5 slits	<b>409 561</b>	<b>409 661</b>
		3.5–4.5	11.0	3.0	6.5	5 slits	<b>409 562</b>	<b>409 662</b>
		4.5–5.5	11.0	3.0	7.5	5 slits	<b>409 563</b>	<b>409 663</b>
		5.5–6.5	11.0	3.0	8.5	5 slits	<b>409 564</b>	<b>409 664</b>
		6.5–7.5	11.0	3.0	9.5	5 slits	<b>409 565</b>	<b>409 665</b>
		7.5–8.5	11.0	3.0	10.5	5 slits	<b>409 566</b>	<b>409 666</b>

We reserve the right to amend specifications at any time.