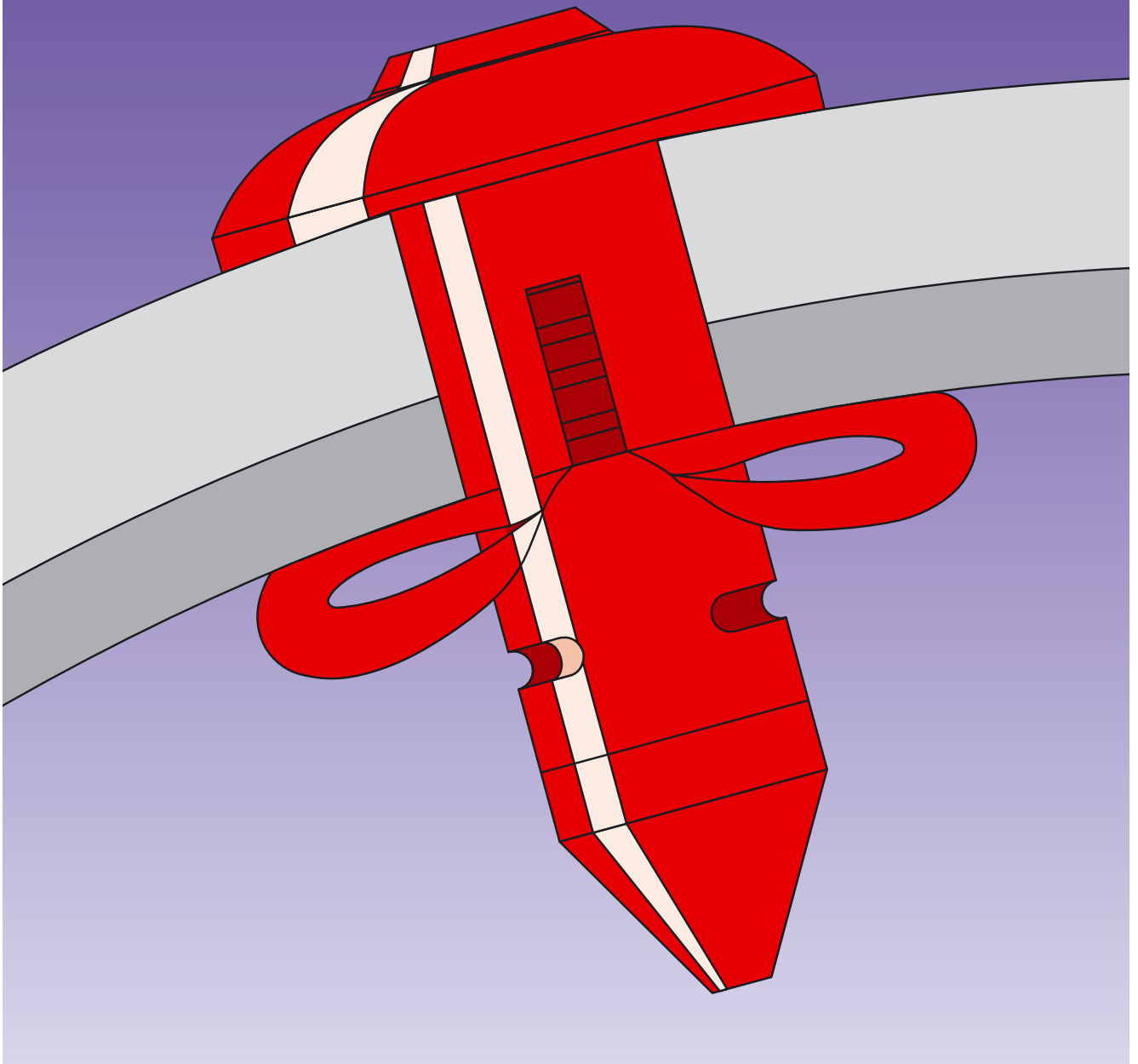


■ TIFAS[®] bulb-tite blind rivets



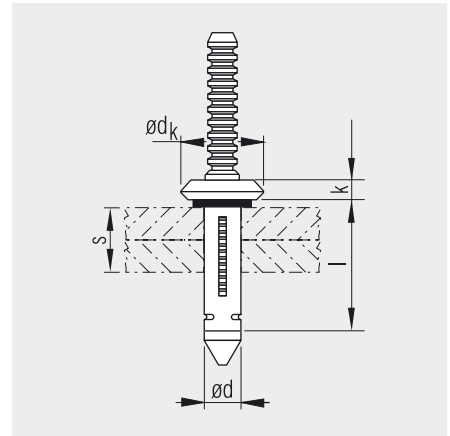
TIFAS® bulb-tite blind rivets

Flat head

Material

Sleeve
Aluminium AlMg 5 waxed
 Melting point 650 °C

Mandrel
Aluminium AlCuMg 1, waxed



Nominal size- \varnothing d [mm]	Hole- \varnothing [mm]	Grip range s [mm]	Sleeve d x l max [mm]	Head		Strength ¹ nominal		Part No.	
				\varnothing d_k [mm]	Height k [mm]	Shear [N]	Tensile [N]	with neoprene washer	without neoprene washer
4.0	4.2	1.7 – 6.4	4.1 x 20.3	8.9	2.6	2080	1100	410 002	410 032
		6.4 – 12.7	4.1 x 25.1	8.9	2.6	2080	1100	410 003	410 033
5.0 ²	5.4	1.3 – 4.8	5.2 x 17.5	11.6	3.1	3300	2060	410 008	410 038
		1.6 – 6.4	5.2 x 19.1	11.6	3.1	3300	2060	410 009	410 039
		4.8 – 9.5	5.2 x 22.2	11.6	3.1	3300	2060	410 010	410 040
		7.9 – 12.7	5.2 x 25.4	11.6	3.1	3300	2060	410 011	410 041
		11.1 – 15.9	5.2 x 28.6	11.6	3.1	3300	2060	410 012	410 042
		14.2 – 19.1	5.2 x 31.8	11.6	3.1	3300	2060	410 013	410 043

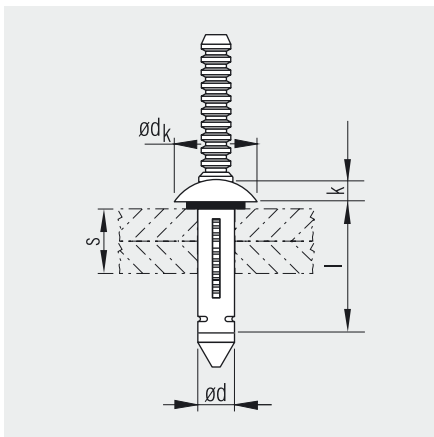
¹ Minimum based on rivet failure

² DIFBT licence no. Z-14. 1-4 Page 2.15

- On request:
- Also available in other materials and head styles
 - Plastic colour caps for bulb-tite type 6604 6 are available in various colours

Installation tools must be fitted with special nosepiece.

We reserve the right to amend specifications at any time.



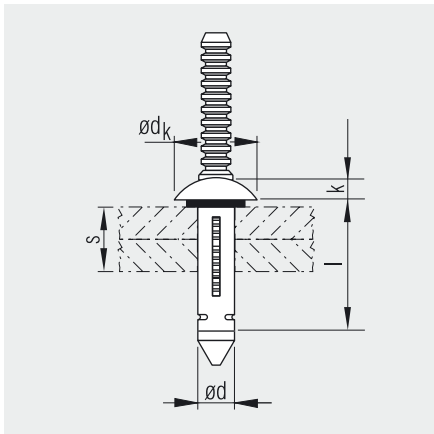
Dome head

Material

- **Sleeve**
Aluminium AlMg 5 waxed
Melting point 650 °C
- **Mandrel**
Aluminium AlCuMg 1, waxed

Blind rivets

Nominal size-ø d [mm]	Hole-ø [mm]	Grip range s [mm]	Sleeve d x l max [mm]	Head		Strength ¹ nominal		Part No.	
				ø dk [mm]	Height k [mm]	Shear [N]	Tensile [N]	with neoprene washer	without neoprene washer
6.5	6.6	3.2 – 9.5	6.3 x 23.4	14.4	3.9	4900	3030	410 022	410 052
		6.4 – 12.7	6.3 x 26.5	14.4	3.9	4900	3030	410 023	410 053
		9.5 – 15.9	6.3 x 29.7	14.4	3.9	4900	3030	410 024	410 054



Dome head

Material

- **Sleeve**
Steel zinc, waxed
- **Mandrel**
Steel zinc, waxed

Nominal size-ø d [mm]	Hole-ø [mm]	Grip range s [mm]	Sleeve d x l max [mm]	Head		Strength ¹ nominal		Part No.	
				ø dk [mm]	Height k [mm]	Shear [N]	Tensile [N]	with neoprene washer	without neoprene washer
6.5	6.6	1.0 – 6.4	6.3 x 20.2	14.4	3.9	7400	3930	410 120	410 150
		3.2 – 9.5	6.3 x 23.4	14.4	3.9	7400	3930	410 121	410 151
		6.4 – 12.7	6.3 x 26.5	14.4	3.9	7400	3930	410 122	–
		9.5 – 15.9	6.3 x 29.7	14.4	3.9	7400	3930	410 123	–

¹ Minimum based on rivet failure

On request: • Also available in other materials and head styles.
Installation tools must be fitted with special nosepiece.

We reserve the right to amend specifications at any time.

