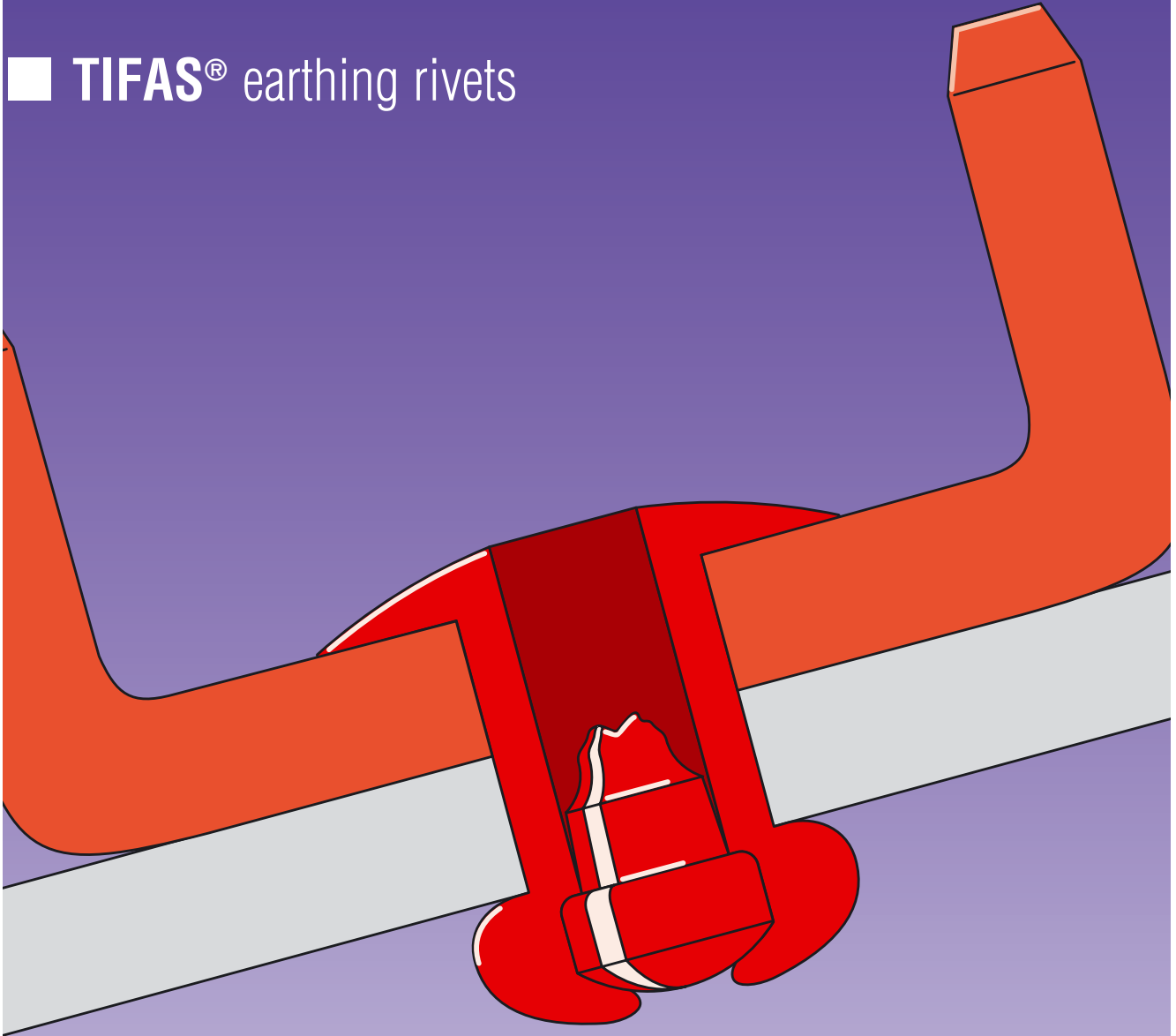


■ TIFAS[®] earthing rivets



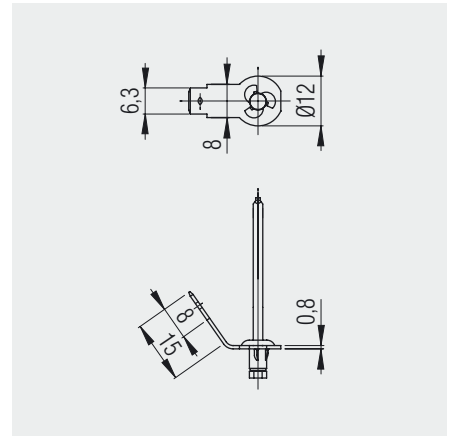
TITGEMEYER Tb1407GB(101)1

TIFAS® earthing rivets

Earthing rivets with tag

Material

- Sleeve**
Copper
- Mandrel**
Steel copper
- Tag**
Brass

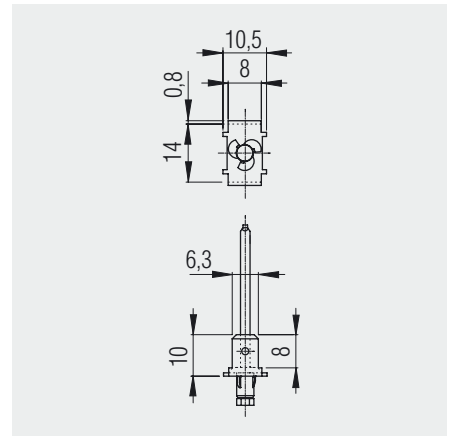
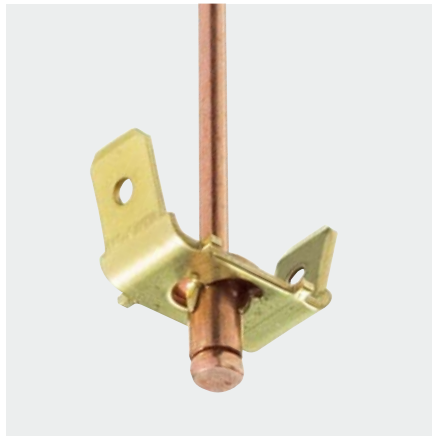


Nominal size- \varnothing d	Hole- \varnothing	Grip range s	Sleeve length l $+1.0$ -0.2	Mandrel \varnothing d_m max	Tags	Sleeve	Part No.
[mm]	[mm]	[mm]	[mm]	[mm]	[Quantity]	[Quantity]	
5.2	5.15 – 5.20	0.6 – 2.0	5.2	2.3	1	1	306 900

Earthing rivets with tags

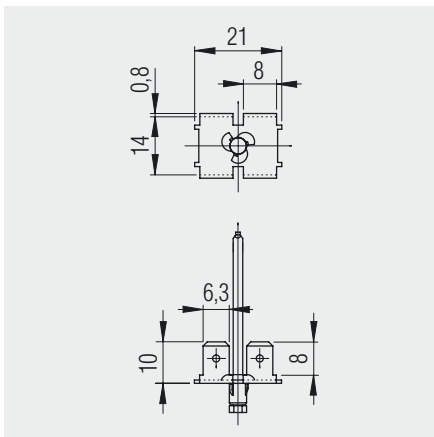
Material

- Sleeve**
Copper
- Mandrel**
Steel copper
- Tag**
Brass



Nominal size- \varnothing d	Hole- \varnothing	Grip range s	Sleeve length l $+1.0$ -0.2	Mandrel \varnothing d_m max	Tags	Sleeve	Part No.
[mm]	[mm]	[mm]	[mm]	[mm]	[Quantity]	[Quantity]	
5.2	5.15 – 5.20	0.6 – 2.0	5.2	2.3	2	1	306 901

We reserve the right to amend specifications at any time.

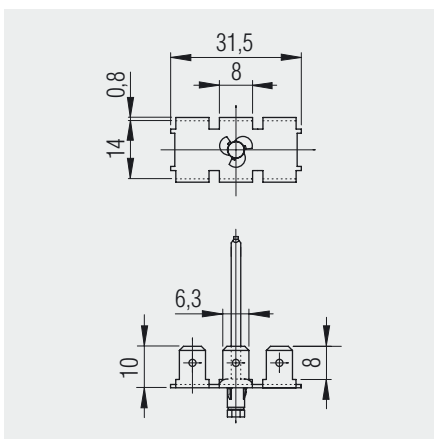


Earthing rivets with tags

Material

- Sleeve
Copper
- Mandrel
Steel copper
- Tag
Brass

Nominal size- \varnothing d [mm]	Hole- \varnothing [mm]	Grip range s [mm]	Sleeve length l +1.0 -0.2 [mm]	Mandrel \varnothing d_m max [mm]	Tags [Quantity]	Sleeve [Quantity]	Part No.
5.2	5.15 – 5.20	0.6 – 2.0	5.2	2.3	4	1	306 902



Earthing rivets with tags

Material

- Sleeve
Copper
- Mandrel
Steel copper
- Tag
Brass

Nominal size- \varnothing d [mm]	Hole- \varnothing [mm]	Grip range s [mm]	Sleeve length l +1.0 -0.2 [mm]	Mandrel \varnothing d_m max [mm]	Tags [Quantity]	Sleeve [Quantity]	Part No.
5.2	5.15 – 5.20	0.6 – 2.0	5.2	2.3	6	1	306 903

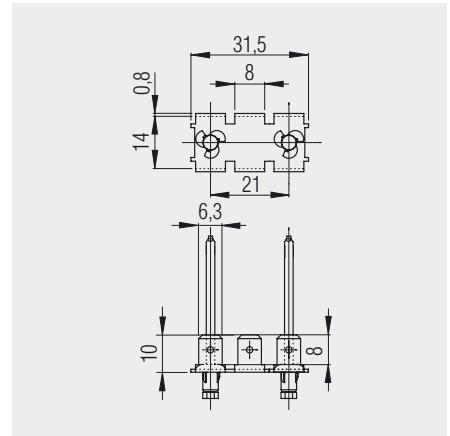
We reserve the right to amend specifications at any time.

TIFAS® earthing rivets

Earthing rivets with tags

Material

- Sleeve**
Copper
- Mandrel**
Steel copper
- Tag**
Brass

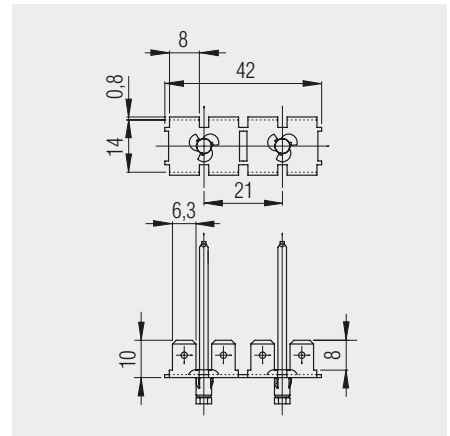


Nominal size- \varnothing d [mm]	Hole- \varnothing [mm]	Grip range s [mm]	Sleeve length l $+1.0$ -0.2 [mm]	Mandrel \varnothing d_m max [mm]	Tags [Quantity]	Sleeve [Quantity]	Part No.
5.2	5.15 – 5.20	0.6 – 2.0	5.2	2.3	1	2	306 904

Earthing rivets with tags

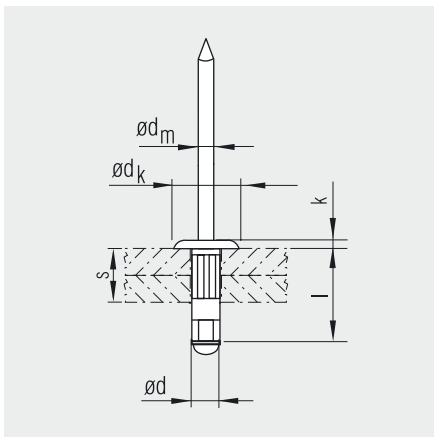
Material

- Sleeve**
Copper
- Mandrel**
Steel copper
- Tag**
Brass



Nominal size- \varnothing d [mm]	Hole- \varnothing [mm]	Grip range s [mm]	Sleeve length l $+1.0$ -0.2 [mm]	Mandrel \varnothing d_m max [mm]	Tags [Quantity]	Sleeve [Quantity]	Part No.
5.2	5.15 – 5.20	0.6 – 2.0	5.2	2.3	8	2	306 905

We reserve the right to amend specifications at any time.



Earthing rivets

Material

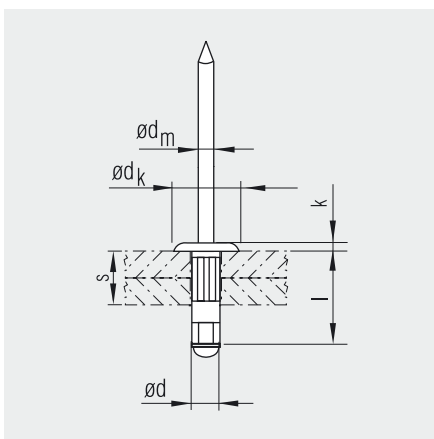
■ **Sleeve**
Aluminium AIMg 2/2.5

■ **Mandrel**
Steel zinc

Blind rivets

Nominal size- ϕ d [mm]	Hole- ϕ [mm]	Grip range s [mm]	Sleeve length $l_{+0.4-0.2}$ [mm]	Head		Mandrel ϕ $d_{m\ nom}$ [mm]	Strength ¹ nominal		Part No.
				ϕ $d_k \pm 0.25$ [mm]	Height $k \pm 0.1$ [mm]		Shear [N]	Tensile [N]	
4.0	4.1 – 4.2	1.2 – 6.4	9.5	7.9	1.2	2.1	1000	1300	429 131

¹ Minimum based on rivet failure



Earthing rivets

Material

■ **Sleeve**
Steel zinc, passivate

■ **Mandrel**
Steel zinc

Nominal size- ϕ d [mm]	Hole- ϕ [mm]	Grip range s [mm]	Sleeve length $l_{+0.4-0.2}$ [mm]	Head		Mandrel ϕ $d_{m\ nom}$ [mm]	Strength ¹ nominal		Part No.
				ϕ $d_k \pm 0.25$ [mm]	Height $k \pm 0.25$ [mm]		Shear [N]	Tensile [N]	
4.0	4.2 – 4.3	1.4 – 5.0	11.0	8.1	1.2	2.7	1500	2300	421 029

¹ Minimum based on rivet failure

We reserve the right to amend specifications at any time.

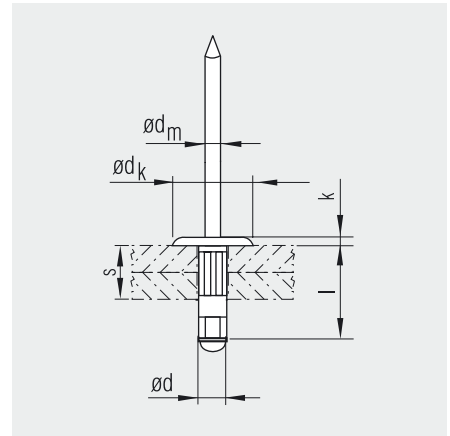
TIFAS® earthing rivets

Earthing rivets

Material

Sleeve
Steel zinc, passivate

Mandrel
Steel zinc



Nominal size- \varnothing d [mm]	Hole- \varnothing [mm]	Grip range s [mm]	Sleeve length $l_{+1.0-0.2}$ [mm]	Head		Mandrel \varnothing $d_{m\ max}$ [mm]	Strength ¹ nominal		Part No.
				\varnothing $d_k \pm 0.3$ [mm]	Height $k \pm 0.2$ [mm]		Shear [N]	Tensile [N]	
5.0	5.1 – 5.2	3.2 – 4.8	9.3	14.0	1.8	2.95	2629	3500	306 923

¹ Minimum based on rivet failure

We reserve the right to amend specifications at any time.