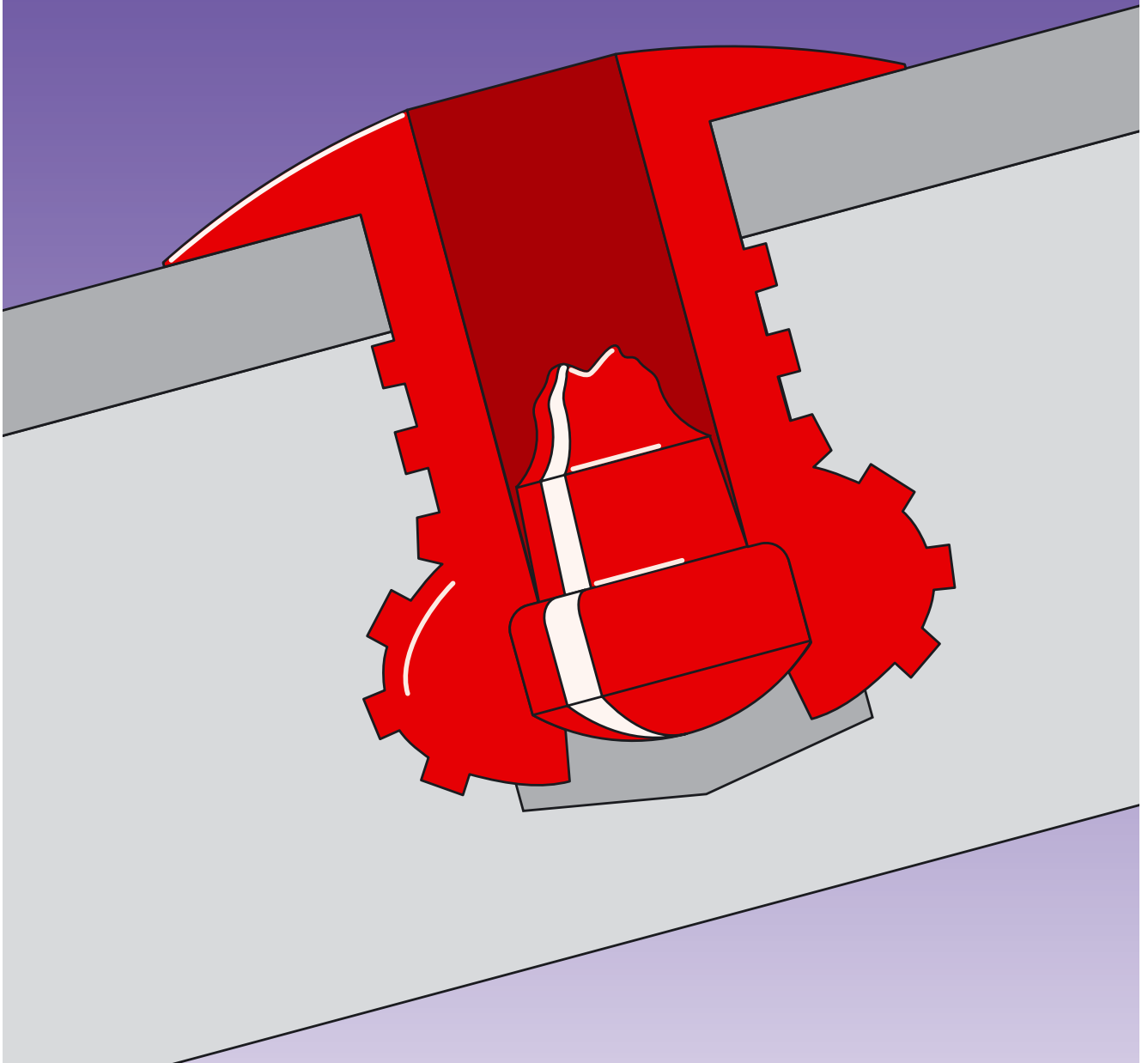


■ **POP[®]** blind rivets
with grooved sleeve



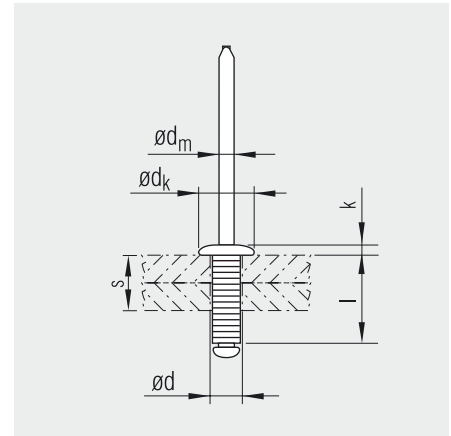
POP® blind rivets with grooved sleeve

Dome head

Material

Sleeve
Aluminium AlMg 3/3.5
Melting point 590 – 610 °C

Mandrel
Steel zinc



Nominal size- \varnothing d [mm]	Hole- \varnothing [mm]	Thickness of the parts to be riveted s ¹ max. [mm]	Sleeve length l +1.0 -0.2 [mm]	Head		Mandrel \varnothing d _{m nom} [mm]	Part No.
				\varnothing d _k ±0.3 [mm]	Height k 0.2 [mm]		
3.3	3.5	6.3	9.7	6.4	1.1	1.8	305 173
4.1	4.3	5.0	8.5	7.9	1.3	2.3	305 182
		7.7	12.1	7.9	1.3	2.3	305 184
5.0	5.2	4.0	7.9	9.5	1.6	2.6	305 191
		6.5	11.3	9.5	1.6	2.6	305 193
		10.5	15.0	9.5	1.6	2.6	305 195
		20.5	26.0	9.5	1.6	2.6	305 199

¹ We recommend conducting a material-related test

We reserve the right to amend specifications at any time.