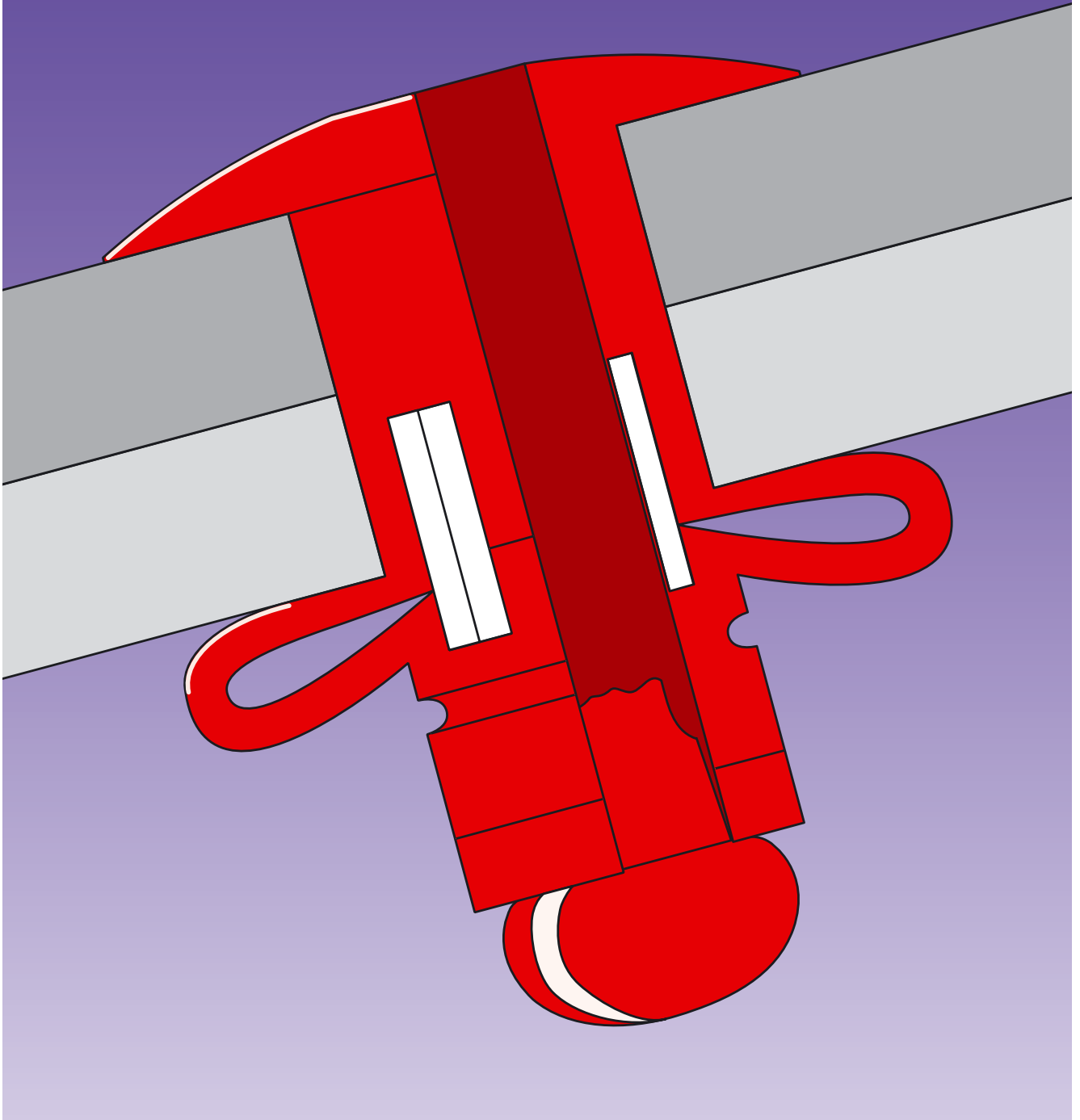


■ POP[®] LSR folding leg blind rivets



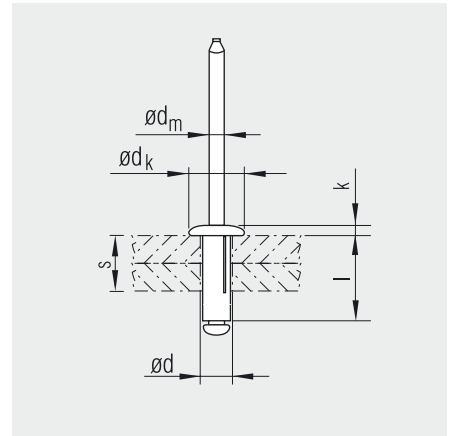
POP® LSR folding leg blind rivets

Dome head

Material

Sleeve
Steel zinc, passivate

Mandrel
Steel zinc

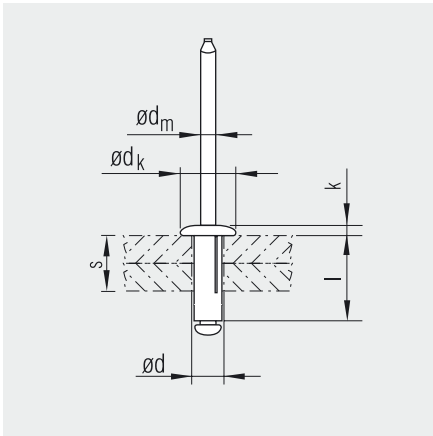


Nominal size- \varnothing d [mm]	Hole- \varnothing [mm]	Grip range s [mm]	Sleeve length $l \pm 0.5$ [mm]	Head		Mandrel \varnothing $d_m \text{ nom}$ [mm]	Strength ¹ nominal		Part No.
				\varnothing $d_k \pm 0.3$ [mm]	Height $k \pm 0.2$ [mm]		Shear [N]	Tensile [N]	
4.8	5.0	-6.4	17.2	9.5	1.5	2.9	2000	2500	300 870
		3.0 – 8.5	19.5	9.5	1.5	2.9	2000	2500	300 871

¹ Minimum based on rivet failure

We reserve the right to amend specifications at any time.

POP® LSR folding leg blind rivets



Dome head

Material

■ **Sleeve**
Aluminium AlMg 3/3.5

■ **Mandrel**
Aluminium alloy

Blind rivets

Nominal size- ϕ d [mm]	Hole- ϕ [mm]	Grip range s [mm]	Sleeve length $l \pm 0.5$ [mm]	Head		Mandrel ϕ d_m^{nom} [mm]	Strength ¹ nominal		Part No.
				ϕ $d_k \pm 0.3$ [mm]	Height $k \pm 0.2$ [mm]		Shear [N]	Tensile [N]	
4.0	4.2	-6.4	17.5	8.0	1.2	2.3	700	900	300 840
		3.0 - 9.5	21.3	8.0	1.2	2.3	700	900	300 841
		5.0 - 12.0	25.0	8.0	1.2	2.3	700	900	300 842
4.8	5.0	-6.4	17.5	9.5	1.5	2.7	1000	1400	300 850
		3.0 - 9.5	19.8	9.5	1.5	2.7	1000	1400	300 851
		5.0 - 12.0	23.5	9.5	1.5	2.7	1000	1400	300 852

¹ Minimum based on rivet failure

Large dome head on request.

We reserve the right to amend specifications at any time.

NOTES

