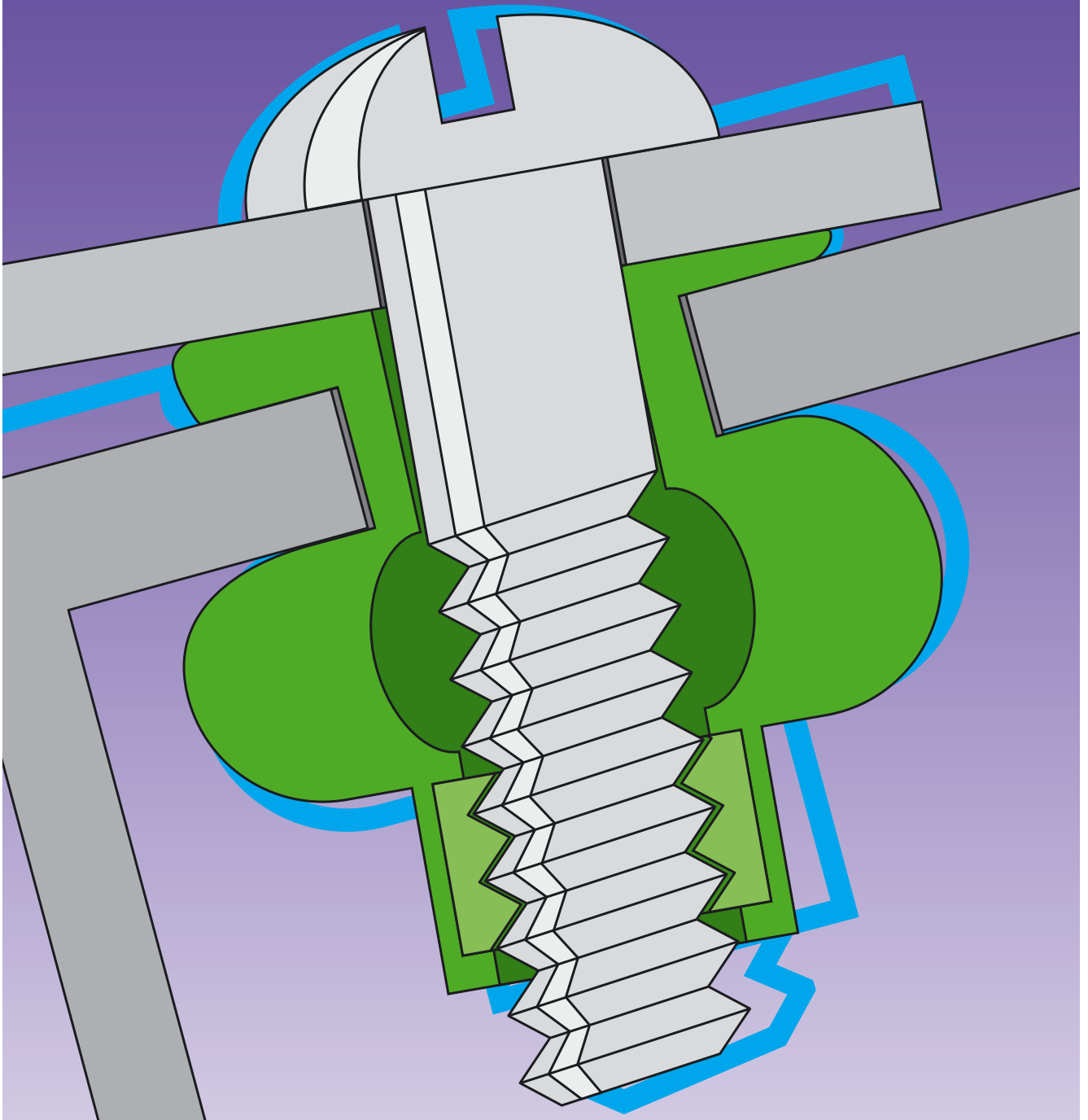


## ■ RIV-TI® Flex blind nuts



TITGEMEYER Tb1417GB(0110)2

Threaded inserts

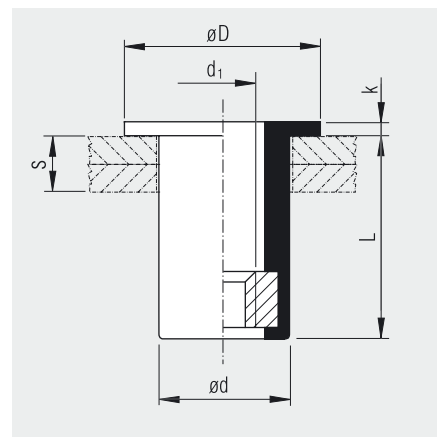
## RIV-TI® Flex blind nuts

Flat head  
Round body, open end

### Material

#### EPDM

black, stainless steel threaded insert (non-conductive available on request)



Thread $d_1$	Grip range $s$ [mm]	Hole- $\varnothing$ [mm]	Body- $\varnothing$ $d$ [mm]	Head- $\varnothing$ $D$ [mm]	Head height $k$ [mm]	Body length $L$ [mm]	Installation torque [Nm]	Part No.  ■ EPDM
<b>M 3</b>	0.4 – 4.0	8.0	7.9	11.0	1.4	11.2	0.5	<b>331 331</b>
<b>M 4</b>	0.4 – 4.0	8.0	7.9	11.0	1.4	11.2	0.4	<b>331 340</b>
<b>M 5</b>	0.4 – 4.9	9.7	9.6	12.7	0.9	13.2	0.6	<b>331 350</b>
	0.8 – 5.8	9.7	9.6	19.0	2.0	16.0	0.6	<b>331 354</b>
	0.9 – 5.9	9.7	9.6	14.0	1.0	16.0	0.6	<b>331 351</b>
<b>M 6</b>	0.4 – 2.8	12.8	12.7	16.0	1.3	14.7	1.0	<b>331 360</b>
	0.8 – 4.7	12.8	12.7	19.0	4.8	16.3	1.0	<b>331 365</b>
	6.4 – 11.5	12.8	12.7	16.3	2.0	24.7	1.0	<b>331 362</b>
<b>M 8</b>	0.4 – 4.0	16.0	15.9	22.1	3.2	15.1	1.5	<b>331 380</b>

We reserve the right to amend specifications at any time.