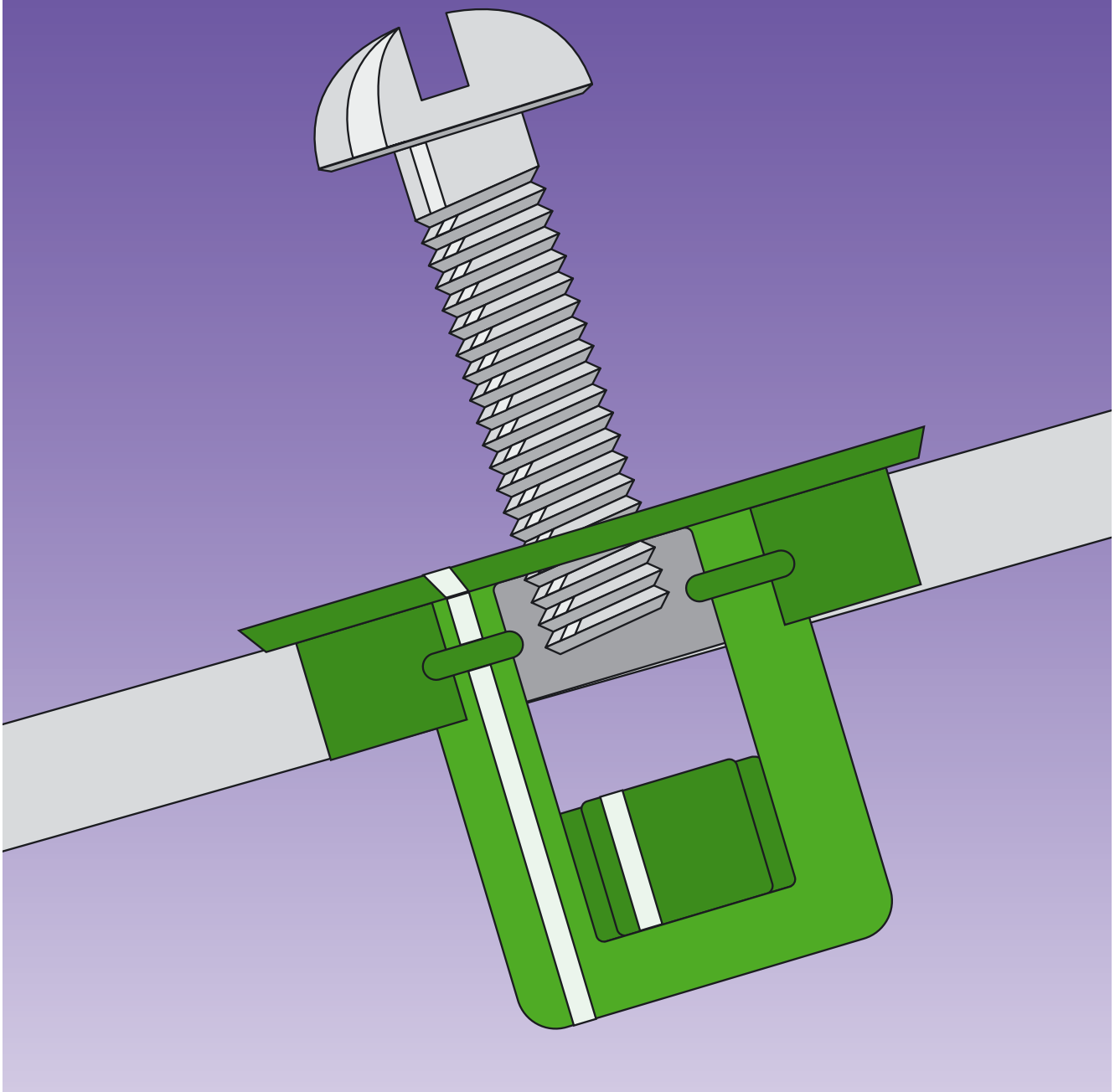


■ RIV-TI[®] captive nuts



TITGEMEYER Tb1455GB(0110)2

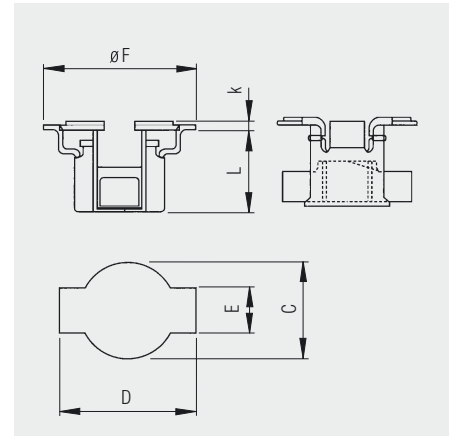
RIV-TI® captive nuts

Metal cage nut

- Fast installation
- Install from front
- Quarter turn to install
- Metal construction

Material

 **Steel**



Thread d_1	Grip range s [mm]	Hole C [mm]	Hole D [mm]	Hole E [mm]	Head- \varnothing F [mm]	Head height k [mm]	Length L [mm]	Colour	Part No.
M 6	0.5 – 3.7	10.2 – 10.4	14.5 – 14.7	4.4 – 4.6	17	0.5	10.5	–	331 621 000
M 8	0.5 – 4.4	14.3 – 14.5	22.0 – 22.2	6.5 – 6.7	24	0.8	14	–	331 620 000

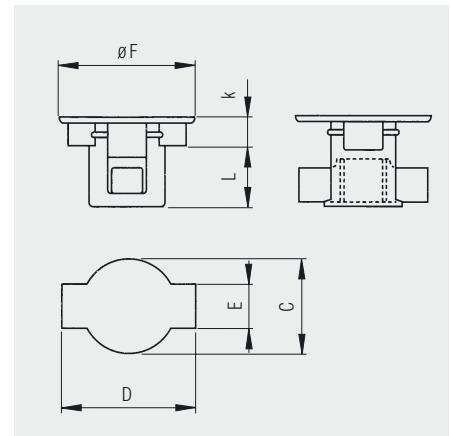
Nylon cage nut

- Fast installation
- Install from front
- Quarter turn to install

Material

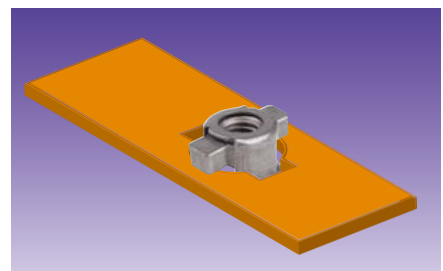
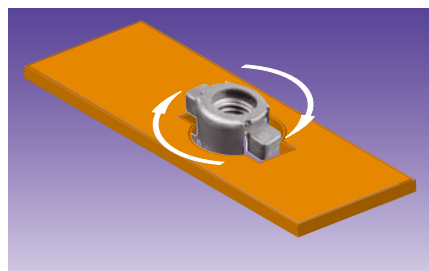
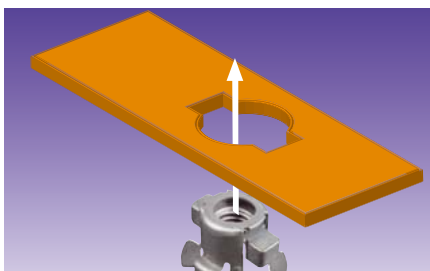
 **Nylon cage**

 **Steel nut**

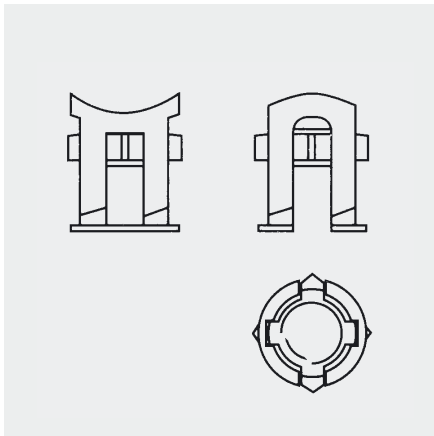


Thread d_1	Grip range s [mm]	Hole C [mm]	Hole D [mm]	Hole E [mm]	Head- \varnothing F [mm]	Head height k [mm]	Length L [mm]	Colour	Part No.
M 6	0.5 – 3.6	11.2	18.2	–	22.6 x 15.2	0.8	11.8	natur	331 622 000
	0.5 – 5.5	10.5	15.0	4.5	18	0.8	12	natur	331 623 000
	0.5 – 5.5	12.0	18.0	4.5	21.5	1.5	16	natur	331 624 000

Other dimensions available.



We reserve the right to amend specifications at any time.



Cage nuts for 19" cabinets

- Fast installation
- Install from front
- Quarter turn to install

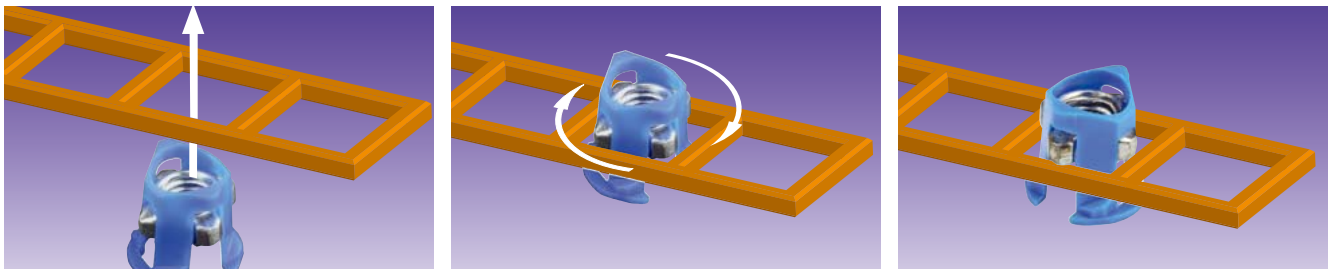
Material

 Nylon cage

 Steel nut

Thread d ₁	Grip range s [mm]	Square hole [mm]	Head-ø D [mm]	Head height k [mm]	Length L [mm]	Colour	Part No.
M 6	0.5 – 3.1	9.5	12.3	0.8	12.8	blue	331 625 000

Other dimensions available.



We reserve the right to amend specifications at any time.

Threaded inserts

