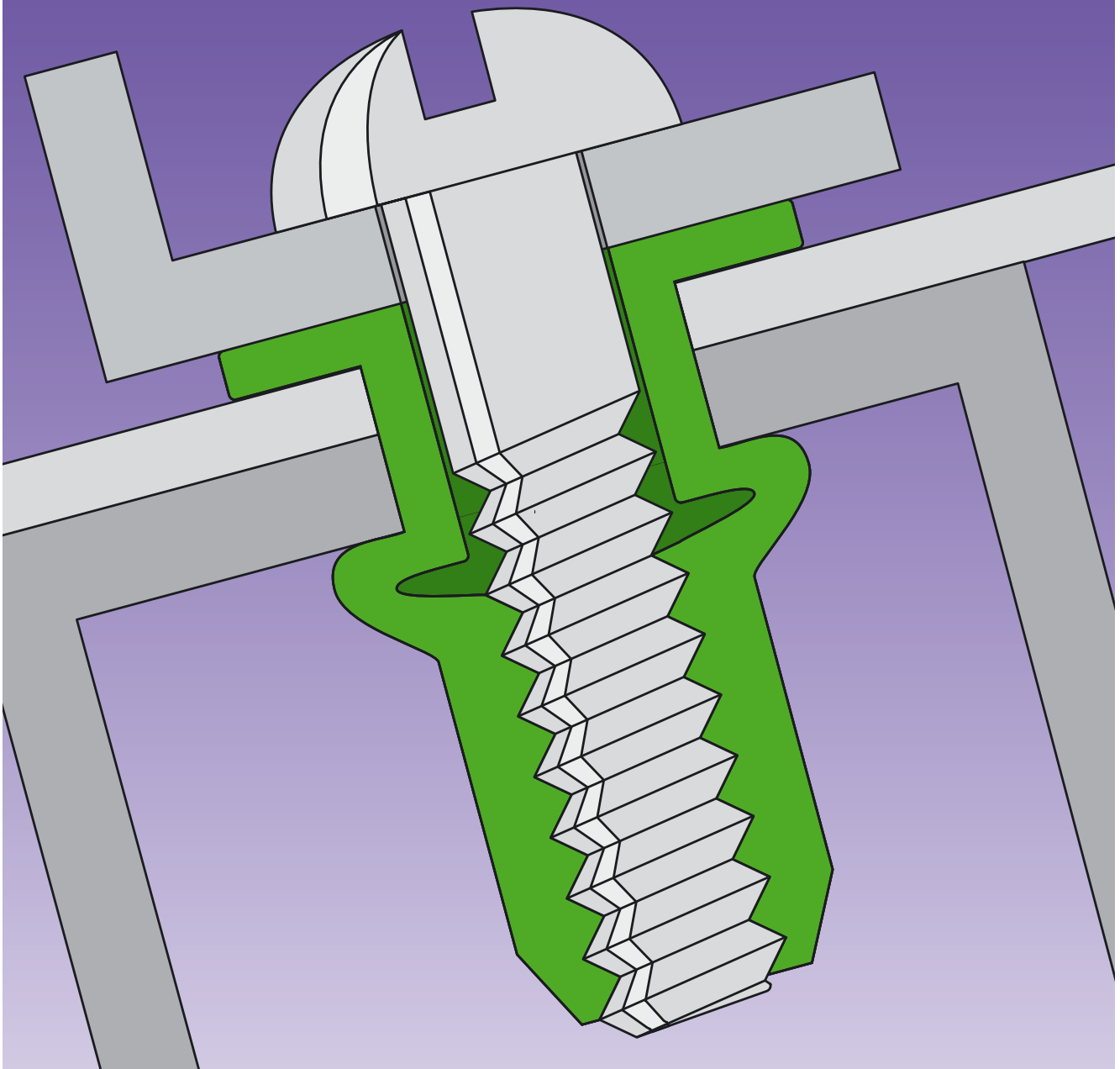


## ■ RIV-TI<sup>®</sup> blind rivet nuts



TITGEMEYER Td1415GB(0110)2

# RIV-TI® blind rivet nuts

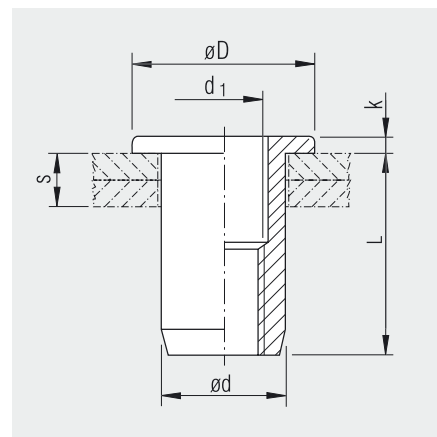
Flat head  
Round body  
Open end

## Material

■ Aluminium

■ Steel  
zinc, passivate

■ Brass

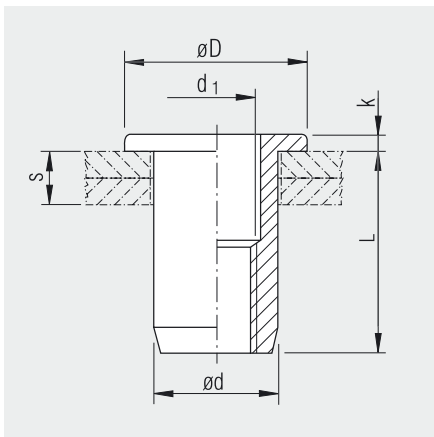


Thread d <sub>1</sub>	Grip range s [mm]	Hole-ø [mm]	Body-ø d [mm]	Head-ø D [mm]	Head height k [mm]	Body length L [mm]	Part No.		
							<span style="color: red;">■</span> Aluminium	<span style="color: blue;">■</span> Steel	<span style="color: yellow;">■</span> Brass
<b>M 3</b>	0.5 – 2.0	5.2	5.0	8.0	0.8	9.8	<b>336 351<sup>1</sup></b>	<b>336 181<sup>1</sup></b>	–
	2.0 – 3.0	5.2	5.0	8.0	0.8	10.8	<b>336 353<sup>1</sup></b>	<b>336 183<sup>1</sup></b>	–
<b>M 4</b>	0.5 – 3.0	6.1	6.0	10.0	0.8	10.8	<b>336 453</b>	<b>336 223</b>	<b>336 493</b>
	3.0 – 4.5	6.1	6.0	10.0	0.8	12.3	<b>336 455</b>	<b>336 225</b>	–
<b>M 5</b>	0.5 – 3.0	7.1	7.0	11.0	1.0	12.0	<b>336 552</b>	<b>336 262</b>	<b>336 592</b>
	3.0 – 5.5	7.1	7.0	11.0	1.0	15.0	<b>336 554</b>	<b>336 264</b>	–
<b>M 6</b>	0.5 – 3.0	9.1	9.0	13.0	1.5	14.5	<b>336 631</b>	<b>336 711</b>	<b>336 671</b>
	3.0 – 5.5	9.1	9.0	13.0	1.5	16.5	<b>336 633</b>	<b>336 713</b>	–
	5.5 – 8.0	9.1	9.0	13.0	1.5	19.0	<b>336 634<sup>2</sup></b>	<b>336 714</b>	–
<b>M 8</b>	0.5 – 3.0	11.1	11.0	16.0	1.5	16.0	<b>336 771</b>	<b>336 857</b>	<b>336 817</b>
	3.0 – 5.5	11.1	11.0	16.0	1.5	18.5	<b>336 773</b>	<b>336 859</b>	–
	5.5 – 8.0	11.1	11.0	16.0	1.5	21.5	<b>336 775<sup>2</sup></b>	<b>336 860</b>	–
<b>M 10</b>	0.8 – 3.5	12.6	12.4	18.5	2.3	19.8	<b>336 901</b>	<b>336 987</b>	–
	3.5 – 6.0	12.6	12.4	18.5	2.3	22.8	<b>336 903<sup>2</sup></b>	<b>336 989</b>	–
<b>M 10</b>	0.8 – 3.5	13.1	13.0	19.0	2.0	21.0	–	<b>336 988</b>	–
	3.5 – 6.0	13.1	13.0	19.0	2.0	24.0	–	<b>336 990<sup>2</sup></b>	–
<b>M 12</b>	1.0 – 4.0	16.1	16.0	23.0	2.0	25.0	– <sup>2</sup>	<b>336 011</b>	–
	4.0 – 7.0	16.1	16.0	23.0	2.0	28.0	–	<b>336 012</b>	–

<sup>1</sup> No lead-in chamfer

<sup>2</sup> Not standard stock - minimum quantity on request

We reserve the right to amend specifications at any time.



Flat head  
Round body  
Open end

**Material**

■ **Stainless steel**  
AISI 304 Cu 1.4567



Threaded inserts

Thread d <sub>1</sub>	Grip range s [mm]	Hole-ø [mm]	Body-ø d [mm]	Head-ø D [mm]	Head height k [mm]	Body length L [mm]	Part No. ■ <b>Stainless steel</b>
<b>M 4</b>	0.5 – 2.0	6.1	6.0	9.0	1.0	11.0	<b>334 225</b>
	2.0 – 3.5	6.1	6.0	9.0	1.0	12.5	<b>334 226</b>
<b>M 5</b>	0.5 – 3.0	7.1	7.0	10.0	1.0	11.5	<b>334 266</b>
	3.0 – 5.0	7.1	7.0	10.0	1.0	15.0	<b>334 267</b>
<b>M 6</b>	0.5 – 3.0	9.1	9.0	12.0	1.5	14.5	<b>334 716</b>
	3.0 – 5.0	9.1	9.0	12.0	1.5	16.5	<b>334 717</b>
	5.0 – 7.0	9.1	9.0	12.0	1.5	18.5	–
<b>M 8</b>	0.5 – 3.0	11.1	11.0	15.0	1.5	16.0	<b>334 855</b>
	3.0 – 5.5	11.1	11.0	15.0	1.5	18.5	<b>334 856</b>
<b>M 10</b>	0.8 – 3.0	12.2	12.0	15.0	1.0	18.5	<b>334 985</b>
	3.0 – 5.0	12.2	12.0	15.0	1.0	20.5	<b>334 986</b>

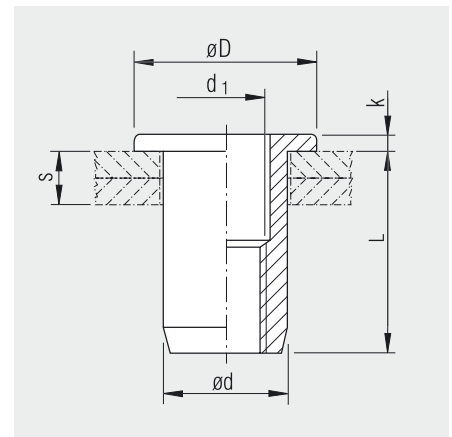
We reserve the right to amend specifications at any time.

# RIV-TI® blind rivet nuts

Flat head  
Round body  
Open end

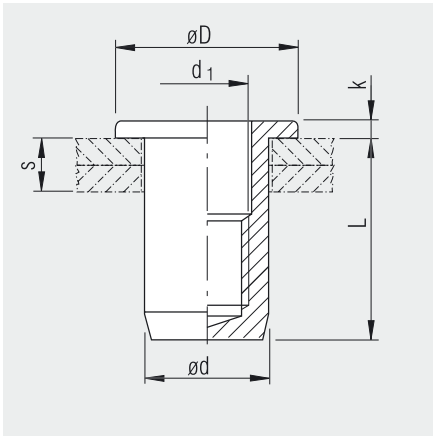
## Material

■ **Stainless steel**  
AISI 316 Cu 1.4578



Thread $d_1$	Grip range $s$ [mm]	Hole- $\varnothing$ [mm]	Body- $\varnothing$ $d$ [mm]	Head- $\varnothing$ $D$ [mm]	Head height $k$ [mm]	Body length $L$ [mm]	Part No. ■ <b>Stainless steel</b>
<b>M 4</b>	0.5 – 2.0	6.1	6.0	9.0	1.0	11.0	–
<b>M 5</b>	0.5 – 3.0	7.1	7.0	10.0	1.0	11.5	<b>334 268</b>
<b>M 6</b>	0.5 – 3.0	9.1	9.0	12.0	1.5	14.5	<b>334 718</b>
	3.0 – 5.0	9.1	9.0	12.0	1.0	11.0	–
<b>M 8</b>	0.5 – 3.0	11.1	11.0	15.0	1.5	16.0	<b>334 870</b>

We reserve the right to amend specifications at any time.



Flat head  
Round body  
Closed end

**Material**

■ Aluminium

■ Steel  
zinc, passivate

Thread d <sub>1</sub>	Grip range s [mm]	Hole-ø [mm]	Body-ø d [mm]	Head-ø D [mm]	Head height k [mm]	Body length L [mm]	Part No.	
							<span style="color: red;">■</span> Aluminium	<span style="color: blue;">■</span> Steel
<b>M 4</b>	0.5 – 3.0	6.1	6.0	10.0	0.8	14.8	<b>336 433</b>	<b>336 203</b>
	3.0 – 4.5	6.1	6.0	10.0	0.8	16.3	–	<b>336 205<sup>1</sup></b>
<b>M 5</b>	0.5 – 3.0	7.1	7.0	11.0	1.0	18.0	<b>336 532</b>	<b>336 242</b>
	3.0 – 5.5	7.1	7.0	11.0	1.0	20.5	<b>336 534<sup>1</sup></b>	<b>336 244<sup>1</sup></b>
<b>M 6</b>	0.5 – 3.0	9.1	9.0	13.0	1.5	21.5	<b>336 611</b>	<b>336 691</b>
	3.0 – 5.5	9.1	9.0	13.0	1.5	24.5	<b>336 613<sup>1</sup></b>	<b>336 693</b>
<b>M 8</b>	0.5 – 3.0	11.1	11.0	16.0	1.5	22.5	<b>336 751</b>	<b>336 837</b>
	3.0 – 5.5	11.1	11.0	16.0	1.5	25.5	<b>336 753<sup>1</sup></b>	<b>336 839</b>

<sup>1</sup> Not standard stock - minimum quantity on request

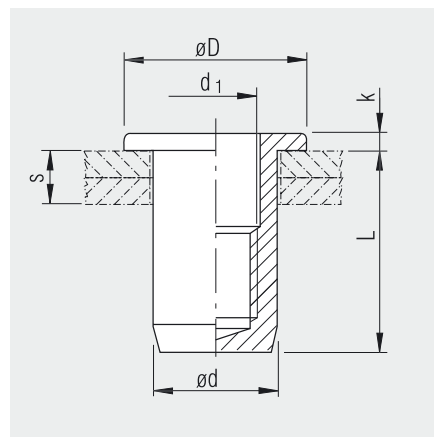
We reserve the right to amend specifications at any time.

## RIV-TI® blind rivet nuts

Flat head  
Round body  
Closed end

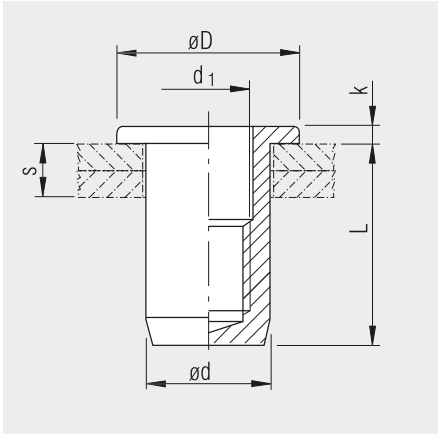
### Material

■ **Stainless steel**  
AISI 304 Cu 1.4567



Thread $d_1$	Grip range $s$ [mm]	Hole- $\varnothing$ [mm]	Body- $\varnothing$ $d$ [mm]	Head- $\varnothing$ $D$ [mm]	Head height $k$ [mm]	Body length $L$ [mm]	Part No. ■ <b>Stainless steel</b>
<b>M 4</b>	0.5 – 2.0	6.1	6.0	9.0	1.0	15.0	<b>334 207</b>
<b>M 5</b>	0.5 – 3.0	7.1	7.0	10.0	1.0	17.5	<b>334 242</b>
<b>M 6</b>	0.5 – 3.0	9.1	9.0	12.0	1.5	21.5	<b>334 691</b>
<b>M 8</b>	0.5 – 3.0	11.1	11.0	15.0	1.5	23.5	<b>334 841</b>

We reserve the right to amend specifications at any time.



Flat head  
Round body  
Closed end

**Material**

■ **Stainless steel**  
AISI 316 Cu 1.4578



Thread d <sub>1</sub>	Grip range s [mm]	Hole-ø [mm]	Body-ø d [mm]	Head-ø D [mm]	Head height k [mm]	Body length L [mm]	Part No. ■ <b>Stainless steel</b>
<b>M 5</b>	0.5 – 3.0	7.1	7.0	10.0	1.0	17.5	<b>334 445</b>
<b>M 6</b>	0.5 – 3.0	9.1	9.0	12.0	1.5	21.5	<b>334 698</b>
<b>M 8</b>	0.5 – 3.0	11.1	11.0	15.0	1.5	23.5	<b>334 843</b>

We reserve the right to amend specifications at any time.

Threaded inserts

# RIV-TI® blind rivet nuts

Countersunk head  
Round body  
Open end

## Material

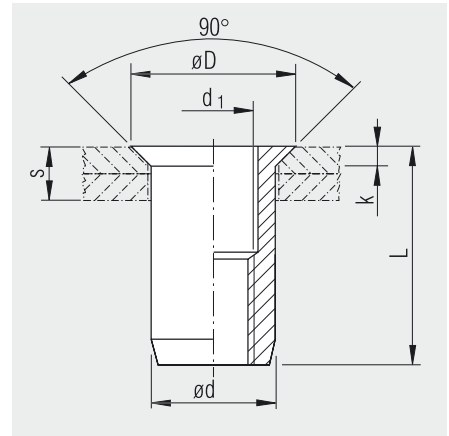


**Aluminium**



**Steel**

zinc, passivate



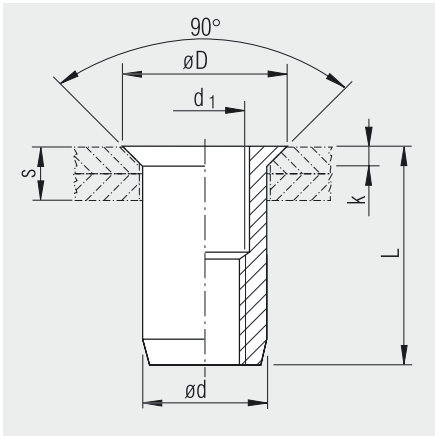
Thread $d_1$	Grip range $s$ [mm]	Hole- $\varnothing$ [mm]	Body- $\varnothing$ $d$ [mm]	Head- $\varnothing$ $D$ [mm]	Head height $k$ [mm]	Body length $L$ [mm]	Part No.	
							Aluminium	Steel
<b>M 3</b>	1.7 – 3.5	5.2	5.0	8.0	1.5	11.3	<b>336 361<sup>1</sup></b>	<b>336 191<sup>1</sup></b>
<b>M 4</b>	1.7 – 3.5	6.1	6.0	9.0	1.5	11.5	<b>336 461</b>	<b>336 231</b>
	3.5 – 5.0	6.1	6.0	9.0	1.5	13.0	<b>336 465</b>	<b>336 235<sup>2</sup></b>
<b>M 5</b>	1.7 – 4.0	7.1	7.0	10.0	1.5	13.0	<b>336 561</b>	<b>336 271</b>
	4.0 – 6.5	7.1	7.0	10.0	1.5	16.0	<b>336 563</b>	<b>336 273</b>
<b>M 6</b>	1.7 – 4.5	9.1	9.0	12.0	1.5	17.0	<b>336 641</b>	<b>336 721</b>
	4.5 – 6.5	9.1	9.0	12.0	1.5	19.0	<b>336 642</b>	<b>336 722</b>
<b>M 8</b>	1.7 – 4.5	11.1	11.0	14.0	1.5	19.0	<b>336 781</b>	<b>336 867</b>
	4.5 – 6.5	11.1	11.0	14.0	1.5	21.0	<b>336 782</b>	<b>336 868</b>
<b>M 10</b>	1.7 – 4.5	12.6	12.4	15.4	1.5	21.0	<b>336 911<sup>2</sup></b>	<b>336 997</b>
	4.5 – 6.5	12.6	12.4	15.4	1.5	23.0	<b>336 912<sup>2</sup></b>	<b>336 998</b>
<b>M 12</b>	2.0 – 4.5	16.1	16.0	19.0	1.8	26.0	–	<b>336 021</b>
	4.5 – 7.5	16.1	16.0	19.0	1.8	29.0	–	<b>336 022</b>

<sup>1</sup> No lead-in chamfer

<sup>2</sup> Not standard stock - minimum quantity on request

We reserve the right to amend specifications at any time.





Countersunk head  
Round body  
Open end

**Material**

■ **Stainless steel**  
AISI 304 Cu 1.4567



Thread $d_1$	Grip range $s$ [mm]	Hole- $\varnothing$ [mm]	Body- $\varnothing$ $d$ [mm]	Head- $\varnothing$ $D$ [mm]	Head height $k$ [mm]	Body length $L$ [mm]	Part No. ■ <b>Stainless steel</b>
<b>M 4</b>	1.2 – 3.0	6.1	6.0	8.0	1.0	12.0	<b>334 236</b>
<b>M 5</b>	1.2 – 3.5	7.1	7.0	9.0	1.0	12.0	<b>334 276</b>
<b>M 6</b>	1.7 – 4.5	9.1	9.0	12.0	1.5	17.0	<b>334 726</b>
<b>M 8</b>	1.7 – 4.5	11.1	11.0	14.0	1.5	17.5	<b>334 865</b>
	4.5 – 6.5	11.1	11.0	14.0	1.5	19.5	<b>334 864</b>
<b>M 10</b>	1.7 – 4.5	12.2	12.0	15.0	1.5	20.0	<b>334 994</b>

We reserve the right to amend specifications at any time.

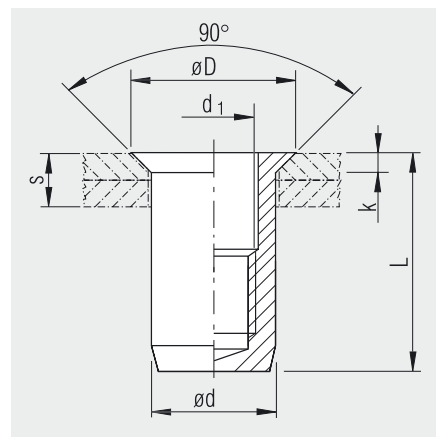
# RIV-TI® blind rivet nuts

Countersunk head  
Round body  
Closed end

## Material

■ Aluminium

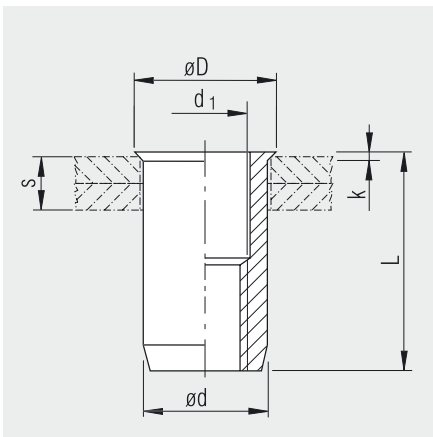
■ Steel  
zinc, passivate



Thread $d_1$	Grip range $s$ [mm]	Hole- $\varnothing$ [mm]	Body- $\varnothing$ $d$ [mm]	Head- $\varnothing$ $D$ [mm]	Head height $k$ [mm]	Body length $L$ [mm]	Part No.	
							<span style="color: red;">■</span> Aluminium	<span style="color: blue;">■</span> Steel
<b>M 4</b>	1.7 – 3.5	6.1	6.0	9.0	1.5	15.5	<b>336 441<sup>1</sup></b>	<b>336 211</b>
	3.5 – 5.0	6.1	6.0	9.0	1.5	17.0	<b>336 445<sup>1</sup></b>	<b>336 215<sup>1</sup></b>
<b>M 5</b>	1.7 – 4.0	7.1	7.0	10.0	1.5	18.0	<b>336 541<sup>1</sup></b>	<b>336 251</b>
	4.0 – 6.5	7.1	7.0	10.0	1.5	20.5	<b>336 543<sup>1</sup></b>	<b>336 253<sup>1</sup></b>
<b>M 6</b>	1.7 – 4.5	9.1	9.0	12.0	1.5	22.0	<b>336 621</b>	<b>336 701</b>
	4.5 – 6.5	9.1	9.0	12.0	1.5	24.0	<b>336 622<sup>1</sup></b>	<b>336 702<sup>1</sup></b>
<b>M 8</b>	1.7 – 4.5	11.1	11.0	14.0	1.5	25.0	<b>336 761<sup>1</sup></b>	<b>336 847</b>
	4.5 – 6.5	11.1	11.0	14.0	1.5	28.0	<b>336 762<sup>1</sup></b>	<b>336 848<sup>1</sup></b>

<sup>1</sup> Not standard stock - minimum quantity on request

We reserve the right to amend specifications at any time.



Slim head  
Round body  
Open end  
(holes not countersunk)

**Material**

■ **Aluminium**

■ **Steel**  
zinc, passivate

Thread d <sub>1</sub>	Grip range s [mm]	Hole-ø [mm]	Body-ø d [mm]	Head-ø D [mm]	Head height k [mm]	Body length L [mm]	Part No.	
							<span style="color: red;">■</span> Aluminium	<span style="color: blue;">■</span> Steel
<b>M 4</b>	0.5 – 3.0	6.1	6.0	6.5	0.5	10.8	<b>335 443</b>	<b>335 263</b>
<b>M 5</b>	0.5 – 3.0	7.1	7.0	7.5	0.5	12.0	<b>335 453</b>	<b>335 283</b>
	3.0 – 5.5	7.1	7.0	7.5	0.5	15.0	–	<b>335 284</b>
<b>M 6</b>	0.5 – 3.0	9.1	9.0	9.5	0.5	14.5	<b>335 473</b>	<b>335 293</b>
	3.0 – 5.5	9.1	9.0	9.5	0.5	16.5	<b>335 474<sup>1</sup></b>	<b>335 294</b>
<b>M 8</b>	0.5 – 3.0	11.1	11.0	11.5	0.5	16.0	<b>335 483</b>	<b>335 303</b>
	3.0 – 5.5	11.1	11.0	11.5	0.5	18.5	–	<b>335 304</b>
<b>M 10</b>	0.8 – 3.5	12.6	12.4	12.9	0.5	19.5	–	<b>335 313</b>


<sup>1</sup> Not standard stock - minimum quantity on request

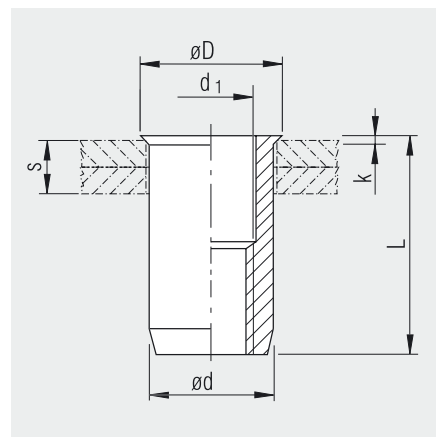
We reserve the right to amend specifications at any time.

## RIV-TI® blind rivet nuts

Slim head  
Round body  
Open end  
(holes not countersunk)

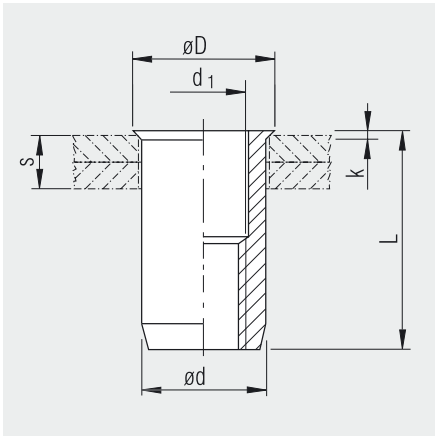
### Material

 **Stainless steel**  
AISI 304 Cu 1.4567



Thread $d_1$	Grip range s [mm]	Hole- $\varnothing$ [mm]	Body- $\varnothing$ d [mm]	Head- $\varnothing$ D [mm]	Head height k [mm]	Body length L [mm]	Part No.  ■ Stainless steel
<b>M 4</b>	0.5 – 2.0	6.1	6.0	6.5	0.5	11.0	<b>334 260</b>
<b>M 5</b>	0.5 – 3.0	7.1	7.0	7.5	0.5	12.0	<b>334 283</b>
<b>M 6</b>	0.5 – 3.0	9.1	9.0	9.5	0.5	14.5	<b>334 293</b>
<b>M 8</b>	0.5 – 3.0	11.1	11.0	11.5	0.5	16.0	<b>334 303</b>
	3.0 – 5.5	11.1	11.0	11.5	0.5	18.5	<b>334 304</b>

We reserve the right to amend specifications at any time.



Slim head  
Round body  
Open end  
(holes not countersunk)

**Material**

■ **Stainless steel**  
AISI 316 Cu 1.4578



Thread d <sub>1</sub>	Grip range s [mm]	Hole-ø [mm]	Body-ø d [mm]	Head-ø D [mm]	Head height k [mm]	Body length L [mm]	Part No. ■ <b>Stainless steel</b>
<b>M 4</b>	0.5 – 2.0	6.1	6.0	6.5	0.5	11.0	–
<b>M 5</b>	0.5 – 3.0	7.1	7.0	7.5	0.5	12.0	<b>334 286</b>
<b>M 6</b>	0.5 – 3.0	9.1	9.0	9.5	0.5	14.5	<b>334 295</b>
<b>M 8</b>	0.5 – 3.0	11.1	11.0	11.0	0.5	16.0	<b>334 306</b>

We reserve the right to amend specifications at any time.

## RIV-TI® blind rivet nuts

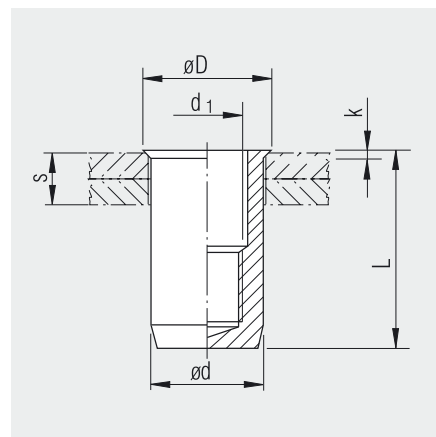
Slim head  
Round body  
Closed end  
(holes not countersunk)

### Material



**Steel**

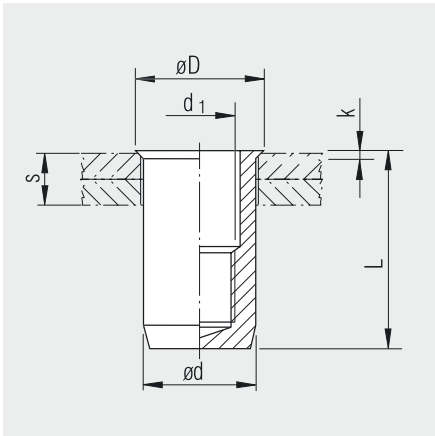
zinc, passivate



Thread $d_1$	Grip range s [mm]	Hole- $\varnothing$ [mm]	Body- $\varnothing$ d [mm]	Head- $\varnothing$ D [mm]	Head height k [mm]	Body length L [mm]	Part No.  ■ Steel
<b>M 4</b>	0.5 – 3.0	6.1	6.0	6.5	0.5	15.0	<b>335 242<sup>1</sup></b>
<b>M 5</b>	0.5 – 3.0	7.1	7.0	7.5	0.5	18.0	<b>335 252<sup>1</sup></b>
<b>M 6</b>	0.5 – 3.0	9.1	9.0	9.5	0.5	21.5	<b>335 276<sup>1</sup></b>
<b>M 8</b>	0.5 – 3.0	11.1	11.0	11.5	0.5	22.5	<b>335 306<sup>1</sup></b>

<sup>1</sup> Not standard stock - minimum quantity on request

We reserve the right to amend specifications at any time.



Slim head  
Round body  
Closed end  
(holes not countersunk)

**Material**

■ **Stainless steel**  
AISI 304 Cu 1.4567



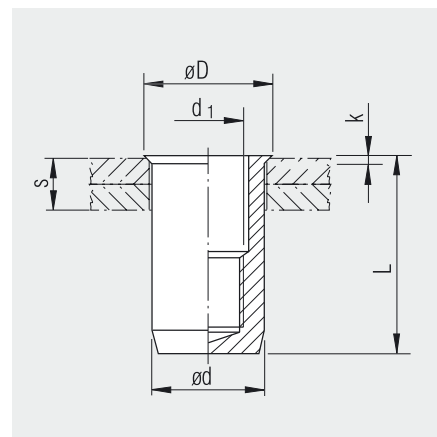
Thread $d_1$	Grip range $s$ [mm]	Hole- $\varnothing$ [mm]	Body- $\varnothing$ $d$ [mm]	Head- $\varnothing$ $D$ [mm]	Head height $k$ [mm]	Body length $L$ [mm]	Part No. ■ <b>Stainless steel</b>
<b>M 4</b>	0.5 – 2.0	6.1	6.0	6.5	0.5	15.5	<b>334 373</b>
<b>M 5</b>	0.5 – 3.0	7.1	7.0	7.5	0.5	18.0	<b>334 383</b>
<b>M 6</b>	0.5 – 3.0	9.1	9.0	9.5	0.5	21.5	<b>334 393</b>
<b>M 8</b>	0.5 – 3.0	11.1	11.0	11.5	0.5	24.0	<b>334 396</b>

We reserve the right to amend specifications at any time.

Threaded inserts

# RIV-TI® blind rivet nuts

Slim head  
 Round body  
 Closed end  
 (holes not countersunk)



## Material

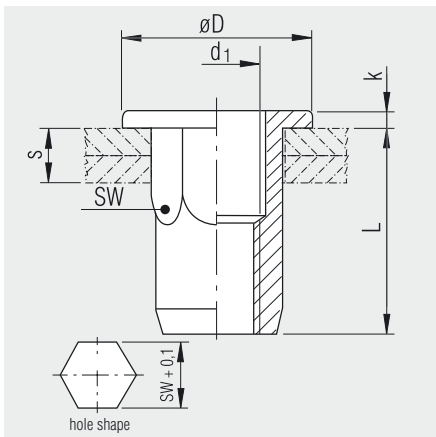
**Stainless steel**  
 AISI 316 Cu 1.4578



Thread $d_1$	Grip range $s$ [mm]	Hole- $\varnothing$ [mm]	Body- $\varnothing$ $d$ [mm]	Head- $\varnothing$ $D$ [mm]	Head height $k$ [mm]	Body length $L$ [mm]	Part No.  ■ Stainless steel
<b>M 5</b>	0.5 – 3.0	7.1	7.0	7.5	0.5	18.0	<b>334 254</b>
<b>M 6</b>	0.5 – 3.0	9.1	9.0	9.5	0.5	21.5	<b>334 395</b>
<b>M 8</b>	0.5 – 3.0	11.1	11.0	11.5	0.5	24.0	<b>334 845</b>

We reserve the right to amend specifications at any time.





Flat head  
Part Hex body  
Open end

**Material**

■ **Stainless steel**  
AISI 304 Cu 1.4567



Threaded inserts

Thread d <sub>1</sub>	Grip range s [mm]	Hole A/F [mm]	Body A/F SW [mm]	Head-ø D [mm]	Head height k [mm]	Body length L [mm]	Part No. ■ <b>Stainless steel</b>
<b>M 4</b>	0.5 – 2.0	6.1	6.0	9.0	1.0	11.0	<b>334 135</b>
<b>M 5</b>	0.5 – 3.0	7.1	7.0	10.0	1.0	11.5	<b>334 155</b>
<b>M 6</b>	0.5 – 3.0	9.1	9.0	12.0	1.5	14.5	<b>334 175</b>
<b>M 8</b>	0.5 – 3.0	11.1	11.0	15.0	1.5	16.0	<b>334 185</b>

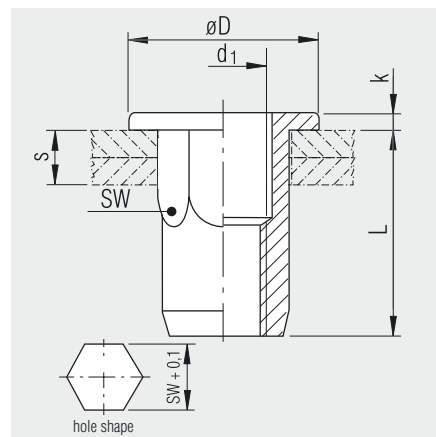
We reserve the right to amend specifications at any time.

# RIV-TI® blind rivet nuts

Flat head  
Part Hex body  
Open end

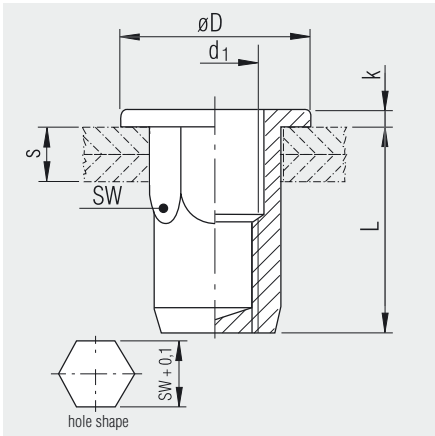
## Material

**Stainless steel**  
AISI 316 Cu 1.4578



Thread $d_1$	Grip range $s$ [mm]	Hole A/F [mm]	Body A/F SW [mm]	Head- $\varnothing$ $D$ [mm]	Head height $k$ [mm]	Body length $L$ [mm]	Part No.  ■ Stainless steel
<b>M 4</b>	0.5 – 2.0	6.1	6.0	9.0	1.0	11.0	–
<b>M5</b>	0.5 – 3.0	7.1	7.0	10.0	1.0	11.5	<b>334 428</b>
<b>M6</b>	0.5 – 3.0	9.1	9.0	12.0	1.5	14.5	<b>334 423</b>
<b>M8</b>	0.5 – 3.0	11.1	11.0	15.0	1.5	16.0	<b>334 424</b>

We reserve the right to amend specifications at any time.



Flat head  
Part Hex body  
Closed end

**Material**

■ **Stainless steel**  
AISI 304 Cu 1.4567



Threaded inserts

Thread d <sub>1</sub>	Grip range s [mm]	Hole A/F [mm]	Body A/F SW [mm]	Head-ø D [mm]	Head height k [mm]	Body length L [mm]	Part No. ■ <b>Stainless steel</b>
<b>M 4</b>	0.5 – 2.0	6.0	6.0	9.0	1.0	15.0	<b>334 425</b>
<b>M 5</b>	0.5 – 3.0	7.0	7.0	10.0	1.0	17.5	<b>334 427</b>
<b>M 6</b>	0.5 – 3.0	9.0	9.0	12.0	1.5	21.5	<b>334 429</b>
<b>M 8</b>	0.5 – 3.0	11.0	11.0	15.0	1.5	23.5	<b>334 431</b>

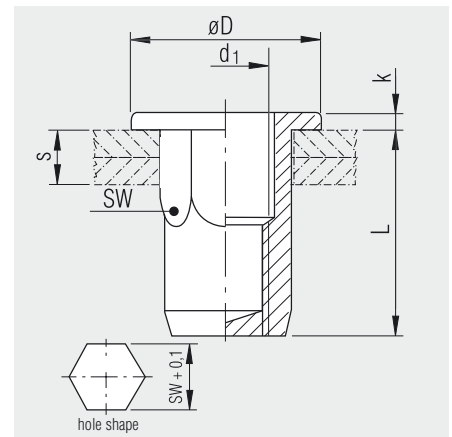
We reserve the right to amend specifications at any time.

# RIV-TI® blind rivet nuts

Flat head  
Part Hex body  
Closed end

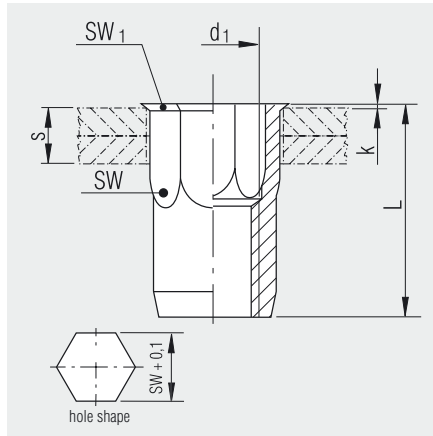
## Material

**Stainless steel**  
AISI 316 Cu 1.4578



Thread $d_1$	Grip range $s$ [mm]	Hole A/F [mm]	Body A/F SW [mm]	Head- $\phi$ D [mm]	Head height k [mm]	Body length L [mm]	Part No.  ■ Stainless steel
<b>M5</b>	0.5 – 3.0	7.0	7.0	10.0	1.0	17.5	<b>334 443</b>
<b>M6</b>	0.5 – 3.0	9.0	9.0	12.0	1.5	21.5	<b>334 446</b>
<b>M8</b>	0.5 – 3.0	11.0	11.0	15.0	1.5	23.5	<b>334 447</b>

We reserve the right to amend specifications at any time.



Slim head  
Part Hex body  
Open end

**Material**

■ **Stainless steel**  
AISI 304 Cu 1.4567



Threaded inserts

Thread $d_1$	Grip range $s$ [mm]	Hole A/F [mm]	Body A/F SW [mm]	Head A/F SW <sub>1</sub> [mm]	Head height $k$ [mm]	Body length $L$ [mm]	Part No. ■ <b>Stainless steel</b>
<b>M 4</b>	0.5 – 2.0	6.1	6.0	6.5	0.5	11.0	<b>334 142</b>
<b>M 5</b>	0.5 – 3.0	7.1	7.0	7.5	0.5	12.0	<b>334 162</b>
<b>M 6</b>	0.5 – 3.0	9.1	9.0	9.5	0.5	14.5	<b>334 182</b>
	3.0 – 5.0	9.1	9.0	9.5	0.5	16.5	<b>334 183</b>
	5.0 – 7.0	9.1	9.0	9.5	0.5	18.5	–
<b>M 8</b>	0.5 – 3.0	11.1	11.0	11.5	0.5	16.0	<b>334 192</b>

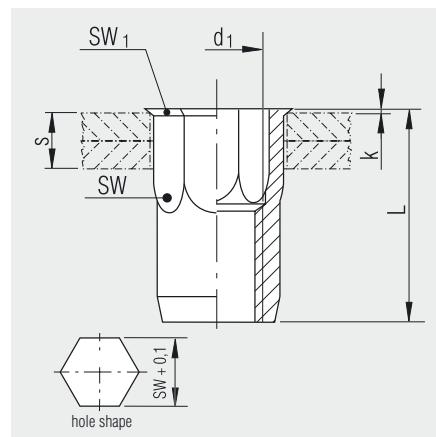
We reserve the right to amend specifications at any time.

# RIV-TI® blind rivet nuts

Slim head  
Part Hex body  
Open end

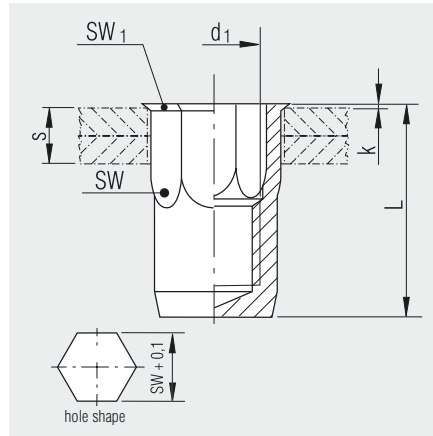
## Material

■ **Stainless steel**  
AISI 316 Cu 1.4578



Thread $d_1$	Grip range $s$ [mm]	Hole A/F [mm]	Body A/F $SW$ [mm]	Head A/F $SW_1$ [mm]	Head height $k$ [mm]	Body length $L$ [mm]	Part No. ■ <b>Stainless steel</b>
<b>M 4</b>	0.5 – 2.0	6.1	6.0	6.5	0.5	11.0	–
<b>M 5</b>	0.5 – 3.0	7.1	7.0	7.5	0.5	12.0	<b>334 438</b>
<b>M 6</b>	0.5 – 3.0	9.1	9.0	9.5	0.5	14.5	<b>334 433</b>
<b>M 8</b>	0.5 – 3.0	11.1	11.0	11.5	0.5	16.0	<b>334 435</b>

We reserve the right to amend specifications at any time.



Slim head  
Part Hex body  
Closed end

**Material**

■ **Stainless steel**  
AISI 304 Cu 1.4567



Threaded inserts

Thread $d_1$	Grip range s [mm]	Hole A/F [mm]	Body A/F SW [mm]	Head A/F SW <sub>1</sub> [mm]	Head height k [mm]	Body length L [mm]	Part No. ■ <b>Stainless steel</b>
<b>M 4</b>	0.5 – 2.0	6.1	6.0	6.5	0.5	15.5	<b>334 421</b>
<b>M 5</b>	0.5 – 3.0	7.0	7.0	7.5	0.5	18.0	<b>334 460</b>
	3.0 – 5.0	7.0	7.0	7.5	0.5	20.5	<b>334 461</b>
<b>M 6</b>	0.5 – 3.0	9.0	9.0	9.5	0.5	21.5	<b>334 462</b>
	3.0 – 5.0	9.0	9.0	9.5	0.5	23.5	<b>334 463</b>
<b>M 8</b>	0.5 – 3.0	11.0	11.0	11.5	0.5	24.0	<b>334 466</b>
	3.0 – 5.0	11.0	11.0	11.5	0.5	26.5	<b>334 467</b>

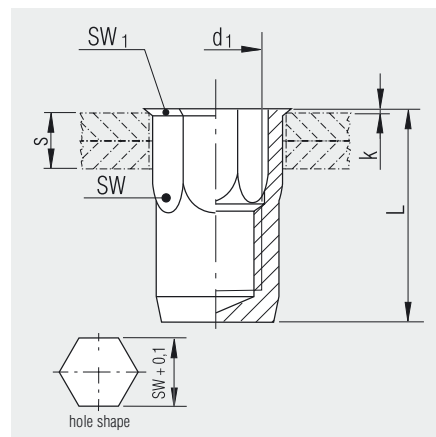
We reserve the right to amend specifications at any time.

# RIV-TI® blind rivet nuts

Slim head  
Part Hex body  
Closed end

## Material

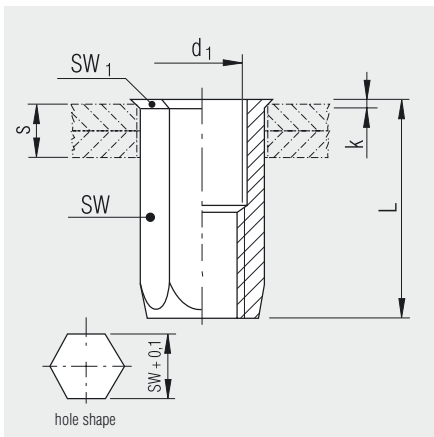
■ **Stainless steel**  
AISI 316 Cu 1.4578



Thread $d_1$	Grip range $s$ [mm]	Hole A/F [mm]	Body A/F SW [mm]	Head A/F SW <sub>1</sub> [mm]	Head height $k$ [mm]	Body length $L$ [mm]	Part No. ■ <b>Stainless steel</b>
<b>M 5</b>	0.5 – 3.0	7.1	7.0	7.5	0.6	18.0	<b>334 437</b>
<b>M 6</b>	0.5 – 3.0	9.1	9.0	9.5	0.5	21.5	<b>334 439</b>
<b>M 8</b>	0.5 – 3.0	11.1	11.0	11.5	0.5	24.0	<b>334 441</b>

We reserve the right to amend specifications at any time.





Slim head  
Hexagon body  
Open end

**Material**

**Steel**  
zinc, passivate

Threaded inserts

Thread $d_1$	Grip range $s$ [mm]	Hole A/F [mm]	Body A/F SW [mm]	Head A/F SW <sub>1</sub> [mm]	Head height $k$ [mm]	Body length $L$ [mm]	Part No.  ■ Steel
<b>M 4</b>	0.5 – 2.0	6.1	6.0	6.6	0.6	11.0	<b>339 322</b>
<b>M 5</b>	0.5 – 3.0	7.1	7.0	7.7	0.6	14.0	<b>339 362</b>
	3.0 – 5.5	7.1	7.0	7.7	0.6	16.5	<b>339 363<sup>1</sup></b>
<b>M 6</b>	0.5 – 3.0	9.1	9.0	9.8	0.7	16.0	<b>339 811</b>
	3.0 – 5.5	9.1	9.0	9.8	0.7	18.5	<b>339 812<sup>1</sup></b>
<b>M 8</b>	0.5 – 3.0	11.1	11.0	11.8	0.7	18.0	<b>339 957</b>
	3.0 – 5.5	11.1	11.0	11.8	0.7	20.5	<b>339 959</b>
<b>M 10</b>	0.8 – 3.5	13.1	13.0	13.8	0.7	23.0	<b>339 991</b>

<sup>1</sup> Not standard stock - minimum quantity on request

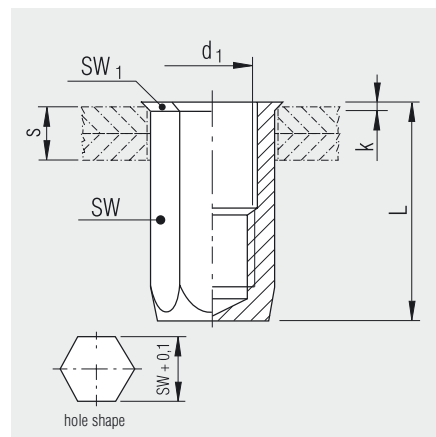
We reserve the right to amend specifications at any time.

# RIV-TI® blind rivet nuts

Slim head  
Hexagon body  
Closed end

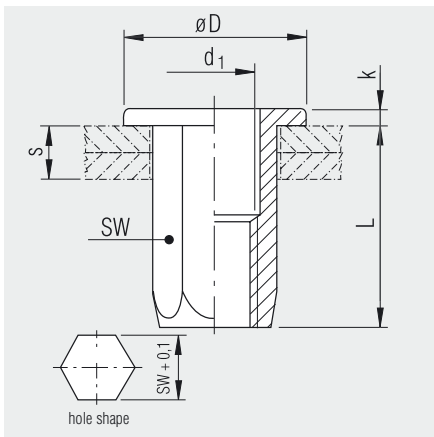
## Material

**Steel**  
zinc, passivate



Thread $d_1$	Grip range $s$ [mm]	Hole A/F [mm]	Body A/F SW [mm]	Head A/F SW <sub>1</sub> [mm]	Head height $k$ [mm]	Body length $L$ [mm]	Part No.  <b>Steel</b>
<b>M 4</b>	0.5 – 2.0	6.1	6.0	6.6	0.6	15.5	<b>339 422</b>
<b>M 5</b>	0.5 – 3.0	7.1	7.0	7.7	0.7	20.0	<b>339 462</b>
<b>M 6</b>	0.5 – 3.0	9.1	9.0	9.8	0.7	22.0	<b>339 911</b>
<b>M 8</b>	0.5 – 3.0	11.1	11.0	11.8	0.7	25.0	<b>339 967</b>

We reserve the right to amend specifications at any time.



Flat head  
Hexagon body  
Open end

**Material**

**Steel**  
zinc, passivate

Threaded inserts

Thread d <sub>1</sub>	Grip range s [mm]	Hole A/F [mm]	Body A/F SW [mm]	Head-Ø D [mm]	Head height k [mm]	Body length L [mm]	Part No.  ■ Steel
<b>M 4</b>	0.5 – 2.0	6.1	6.0	9.0	1.0	10.0	<b>339 222</b>
<b>M 5</b>	0.5 – 3.0	7.1	7.0	10.0	1.0	13.0	<b>339 262</b>
<b>M 6</b>	0.5 – 3.0	9.1	9.0	13.0	1.5	14.5	<b>339 711</b>
	3.0 – 5.5	9.1	9.0	13.0	1.5	16.5	<b>339 713</b>
<b>M 8</b>	0.5 – 3.0	11.1	11.0	16.0	1.5	16.5	<b>339 857</b>
	3.0 – 5.5	11.1	11.0	16.0	1.5	19.0	<b>339 859</b>
	5.5 – 8.0	11.1	11.0	16.0	1.5	22.0	<b>339 860</b>
<b>M 10</b>	0.8 – 3.5	13.1	13.0	19.0	2.0	21.0	<b>339 987</b>
	3.5 – 6.0	13.1	13.0	19.0	2.0	23.5	<b>339 989<sup>1</sup></b>
<b>M 12<sup>2</sup></b>	1.0 – 4.0	16.1	16.0	23.0	2.0	25.0	<b>339 998</b>

<sup>1</sup> Not standard stock - minimum quantity on request

<sup>2</sup> Part Hex body

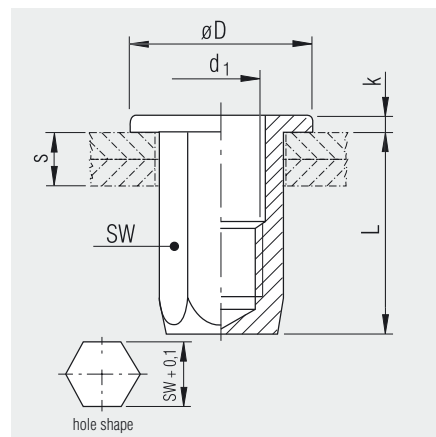
We reserve the right to amend specifications at any time.

# RIV-TI® blind rivet nuts

Flat head  
Hexagon body  
Closed end

## Material

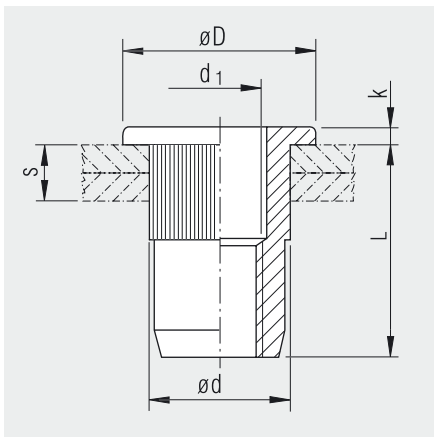
**Steel**  
zinc, passivate



Thread d <sub>1</sub>	Grip range s [mm]	Hole A/F [mm]	Body A/F SW [mm]	Head-ø D [mm]	Head height k [mm]	Body length L [mm]	Part No.  ■ Steel
<b>M 4</b>	0.5 – 2.0	6.1	6.0	9.0	1.0	14.5	<b>339 202<sup>1</sup></b>
<b>M 5</b>	0.5 – 3.0	7.1	7.0	10.0	1.0	19.0	<b>339 242</b>
	3.0 – 5.5	7.1	7.0	10.0	1.0	21.5	<b>339 243<sup>1</sup></b>
<b>M 6</b>	0.5 – 3.0	9.1	9.0	13.0	1.5	21.5	<b>339 691<sup>1</sup></b>
	3.0 – 5.5	9.1	9.0	13.0	1.5	23.5	<b>339 693<sup>1</sup></b>
<b>M 8</b>	0.5 – 3.0	11.1	11.0	16.0	1.5	24.5	<b>339 837</b>
	3.0 – 5.5	11.1	11.0	16.0	1.5	27.0	<b>339 838<sup>1</sup></b>
<b>M 10</b>	0.8 – 3.5	13.1	13.0	19.0	2.0	31.0	<b>339 970<sup>1</sup></b>
	3.0 – 6.0	13.1	13.0	19.0	2.0	33.5	<b>339 971</b>

<sup>1</sup> Not standard stock - minimum quantity on request

We reserve the right to amend specifications at any time.



Flat head  
Raised spline round body  
Open end

**Material**

■ **Steel**  
zinc, passivate

Threaded inserts

Thread d <sub>1</sub>	Grip range s [mm]	Hole-ø [mm]	Body-ø d [mm]	Head-ø D [mm]	Head height k [mm]	Body length L [mm]	Part No.  ■ Steel
<b>M 4</b>	0.5 – 3.0	6.5	6.3	10.0	0.8	10.8	<b>337 900</b>
	3.0 – 4.5	6.5	6.3	10.0	0.8	12.3	<b>337 901<sup>1</sup></b>
<b>M 5</b>	0.5 – 3.0	7.5	7.3	11.0	1.0	12.0	<b>337 905</b>
	3.0 – 5.5	7.5	7.3	11.0	1.0	15.0	<b>337 906</b>
<b>M 6</b>	0.5 – 3.0	9.5	9.3	13.0	1.5	14.5	<b>337 910</b>
	3.0 – 5.5	9.5	9.3	13.0	1.5	16.5	<b>337 911</b>
<b>M 8</b>	0.5 – 3.0	11.6	11.4	16.0	1.5	16.0	<b>337 915</b>
	3.0 – 5.5	11.6	11.4	16.0	1.5	18.5	<b>337 916</b>
<b>M 10</b>	0.8 – 3.5	13.1	12.9	18.5	2.3	19.8	<b>337 920</b>
	3.5 – 6.0	13.1	12.9	18.5	2.3	22.8	<b>337 921</b>

<sup>1</sup> Not standard stock - minimum quantity on request

We reserve the right to amend specifications at any time.

## RIV-TI® blind rivet nuts

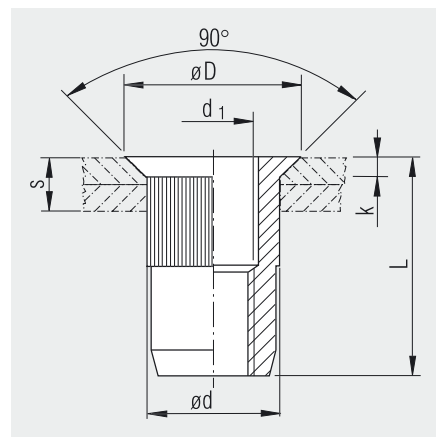
Countersunk head  
Raised spline round body  
Open end

### Material



**Steel**

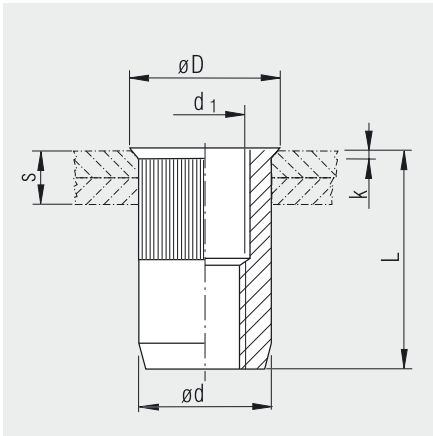
zinc, passivate



Thread $d_1$	Grip range s [mm]	Hole- $\emptyset$ [mm]	Body- $\emptyset$ d [mm]	Head- $\emptyset$ D [mm]	Head height k [mm]	Body length L [mm]	Part No.  ■ Steel
<b>M 4</b>	1.7 – 3.5	6.5	6.3	9.0	1.5	11.5	<b>337 930<sup>1</sup></b>
	3.5 – 5.0	6.5	6.3	9.0	1.5	13.0	<b>337 931<sup>1</sup></b>
<b>M 5</b>	1.7 – 4.0	7.5	7.3	10.0	1.5	13.0	<b>337 935</b>
	4.0 – 6.5	7.5	7.3	10.0	1.5	16.0	<b>337 936<sup>1</sup></b>
<b>M 6</b>	1.7 – 4.5	9.5	9.3	12.0	1.5	17.0	<b>337 940</b>
	4.5 – 6.5	9.5	9.3	12.0	1.5	19.0	<b>337 941<sup>1</sup></b>
<b>M 8</b>	1.7 – 4.5	11.6	11.4	14.0	1.5	19.0	<b>337 945</b>
	4.5 – 6.5	11.6	11.4	14.0	1.5	21.0	<b>337 946</b>
<b>M 10</b>	1.7 – 4.5	13.1	12.9	15.4	1.5	21.0	<b>337 950</b>
	4.5 – 6.5	13.1	12.9	15.4	1.5	23.0	<b>337 951<sup>1</sup></b>

<sup>1</sup> Not standard stock - minimum quantity on request


We reserve the right to amend specifications at any time.



Slim head  
 Raised spline round body  
 Open end  
 (holes not countersunk)

**Material**

 **Steel**  
 zinc, passivate

Thread d <sub>1</sub>	Grip range s [mm]	Hole-ø [mm]	Body-ø d [mm]	Head-ø D [mm]	Head height k [mm]	Body length L [mm]	Part No.  <b>Steel</b>
<b>M 4</b>	0.5 – 3.0	6.1	6.0	7.0	0.6	10.0	<b>337 964</b>
<b>M 5</b>	0.5 – 3.0	7.1	7.0	8.0	0.6	11.5	<b>337 963</b>
<b>M 6</b>	0.5 – 3.0	9.1	9.0	10.0	0.6	14.0	<b>337 961</b>
<b>M 8</b>	0.5 – 3.0	11.1	11.0	12.0	0.6	15.5	<b>337 851</b>

We reserve the right to amend specifications at any time.

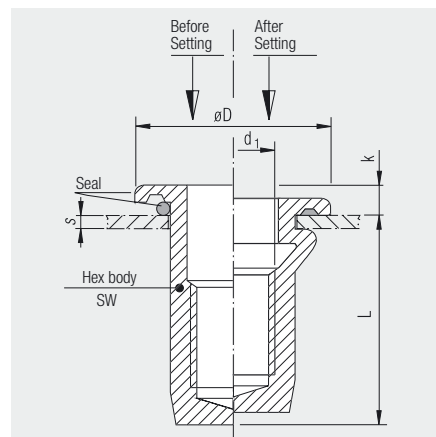
Threaded inserts

## RIV-TI® blind rivet nuts

### RIV-TI® blind rivet nuts with seal

#### Material

- **Steel**
- zinc, passivate
- Seal: NBR 70, black



Thread $d_1$	Grip range $s$ [mm]	Hole A/F [mm]	Body A/F SW [mm]	Head- $\varnothing$ $D$ [mm]	Head height $k$ [mm]	Body length $L$ [mm]	Part No.  <span style="color: blue;">■</span> Steel
<b>M 5</b>	0.5 – 3.0	7.1	7.0	12.5	1.5	19.0	<b>339 245<sup>1</sup></b>
<b>M 6</b>	0.5 – 3.0	9.1	9.0	15.0	1.5	21.5	<b>339 695<sup>1</sup></b>
<b>M 8</b>	0.5 – 3.0	11.1	11.0	20.0	2.0	26.7	<b>339 850<sup>1</sup></b>

<sup>1</sup> Not standard stock - minimum quantity on request

We reserve the right to amend specifications at any time.



Installation and strength data

Thread	Grip range [mm]	Grip range [mm]	Aluminium				Steel				Stainless steel			
			Installation force [N]	Installation stroke [mm]	Thread load [N]	Torque [Nm]	Installation force [N]	Installation stroke [mm]	Thread load [N]	Torque [Nm]	Installation force [N]	Installation stroke [mm]	Thread load [N]	Torque [Nm]
M 3	0.5 – 2.0	1.0	2000	2.0	3750	1.0	4000	2.5	>5000	1.2	–	–	–	–
		2.0	2600	1.5	3250	1.0	4750	2.0	>5000	1.2	–	–	–	–
	2.0 – 3.0	2.0	1850	1.5	3900	1.0	3700	2.5	>5000	1.2	–	–	–	–
		3.0	2050	1.0	3968	1.0	4750	2.0	>5000	1.2	–	–	–	–
M 4	0.5 – 2.0	1.0	–	–	–	–	–	–	–	–	4900	2.0	9000	2.8
		2.0	–	–	–	–	–	–	–	–	5500	1.5	9000	2.8
	0.5 – 3.0	1.0	2100	3.0	5170	2.0	4300	2.5	>8000	2.8	–	–	–	–
		3.0	2430	1.0	4330	2.0	5650	1.5	>8000	2.8	–	–	–	–
	2.0 – 3.5	2.0	–	–	–	–	–	–	–	–	5500	2.6	9000	2.8
		3.5	–	–	–	–	–	–	–	–	6000	1.7	9000	2.8
	3.0 – 4.5	3.0	2050	2.8	4838	2.0	4200	2.5	>8000	2.8	–	–	–	–
		4.5	2875	1.5	4421	2.0	5000	1.5	>8000	2.8	–	–	–	–
M 5	0.5-3.0	1.0	3050	3.5	6300	4.5	6150	3.5	12240	5.5	6500	2.7	11200	5.5
		3.0	3650	2.0	6000	4.5	7200	2.5	9600	5.5	7300	1.7	8500	5.5
	3.0-5.0	3.0	–	–	–	–	–	–	–	–	6500	4.0	>16500	5.5
		5.0	–	–	–	–	–	–	–	–	8000	2.0	16000	5.5
	3.0-5.5	3.0	3000	3.5	6450	4.5	5750	4.0	11800	5.5	–	–	–	–
5.5	4300	1.5	5525	4.5	9650	2.0	10300	5.25	–	–	–	–		
M 6	0.5 – 3.0	1.0	4500	3.0	11000	8.0	9400	4.0	21200	9.5	11850	4.0	>23000	9.5
		3.0	5750	2.0	10000	8.0	12000	3.0	18500	9.5	14460	3.0	18800	9.5
	3.0 – 5.0	3.0	–	–	–	–	–	–	–	–	13500	4.5	>24000	9.5
		5.0	–	–	–	–	–	–	–	–	15000	2.8	>24000	9.5
	3.0 – 5.5	3.0	4500	3.5	11000	8.0	9000	3.5	22700	9.5	–	–	–	–
		5.5	6100	1.8	10000	8.0	11000	2.0	19700	9.5	–	–	–	–
	5.0 – 7.0	5.0	–	–	–	–	–	–	–	–	–	–	–	–
		7.0	–	–	–	–	–	–	–	–	–	–	–	–
	5.5 – 8.0	5.5	4950	4.7	9160	8.0	8700	4.0	19900	9.5	–	–	–	–
		8.0	5400	2.0	8200	8.0	11750	2.5	17200	9.5	–	–	–	–
M 8	0.5 – 3.0	1.0	5000	3.0	14900	17.0	11500	4.0	30400	23.0	14100	4.2	33250	24.0
		3.0	6600	2.0	14000	17.0	13750	2.5	26100	23.0	16000	2.6	25800	24.0
	3.0 – 5.5	3.0	5400	4.0	15500	17.0	11500	4.0	32500	23.0	–	–	–	–
		5.5	7400	2.0	11200	17.0	15500	2.5	31900	23.0	–	–	–	–
	5.5 – 8.0	5.5	5900	4.0	16100	17.0	10700	4.0	32400	23.0	–	–	–	–
		8.0	7850	2.0	13600	17.0	14700	2.5	26500	23.0	–	–	–	–
M 10	0.8 – 3.0	1.0	–	–	–	–	–	–	–	–	14500	3.5	>45000	–
		3.0	–	–	–	–	–	–	–	–	18500	2.5	>45000	–
	0.8 – 3.5	1.0	6750	4.0	22100	27.0	13600	4.5	39600	46.0	–	–	–	–
		3.5	9000	2.5	17700	27.0	17000	2.5	32400	46.0	–	–	–	–
	3.0 – 5.0	3.0	–	–	–	–	–	–	–	–	14500	3.5	>39500	–
		5.0	–	–	–	–	–	–	–	–	18500	2.5	>37000	–
	3.5 – 6.0	3.5	9000	5.0	25250	27.0	14900	4.0	42300	46.0	–	–	–	–
		6.0	13000	3.0	23000	27.0	17900	2.5	31700	46.0	–	–	–	–
	0.8 – 3.5	1.0	–	–	–	–	13500	4.5	40500	46.0	–	–	–	–
		3.5	–	–	–	–	16100	2.5	36100	46.0	–	–	–	–
	3.5 – 6.0	3.5	–	–	–	–	15900	5.5	48000	46.0	–	–	–	–
		6.0	–	–	–	–	20400	3.0	37500	46.0	–	–	–	–

Threaded inserts

Continue next page

## RIV-TI® blind rivet nuts

Continued

### Installation and strength data

Thread	Grip range [mm]	Grip range [mm]	■ Aluminium				■ Steel				■ Stainless steel			
			Installation force [N]	Installation stroke [mm]	Thread load [N]	Torque [Nm]	Installation force [N]	Installation stroke [mm]	Thread load [N]	Torque [Nm]	Installation force [N]	Installation stroke [mm]	Thread load [N]	Torque [Nm]
<b>M 12</b>	1.0 – 4.0	1.0	–	–	–	–	19500	5.5	>50000	80.0	–	–	–	–
		4.0	–	–	–	–	25000	4.0	>50000	–	–	–	–	
	4.0 – 7.0	4.0	–	–	–	–	19500	5.5	>50000	80.0	–	–	–	–
		7.0	–	–	–	–	25000	4.0	>50000	–	–	–	–	

Installation force: Force (in Newton) required to upset the blind rivet nut

Installation stroke: Stroke of the setting tool (in mm) required for the specified grip range

Thread load: Maximum load (in Newton) for the thread on the inserted blind rivet nut

Torque: Maximum load (in Newton meter) for the thread on the inserted blind rivet nut

All values given are for guidance only. The user must make adjustments or determine values for the application.