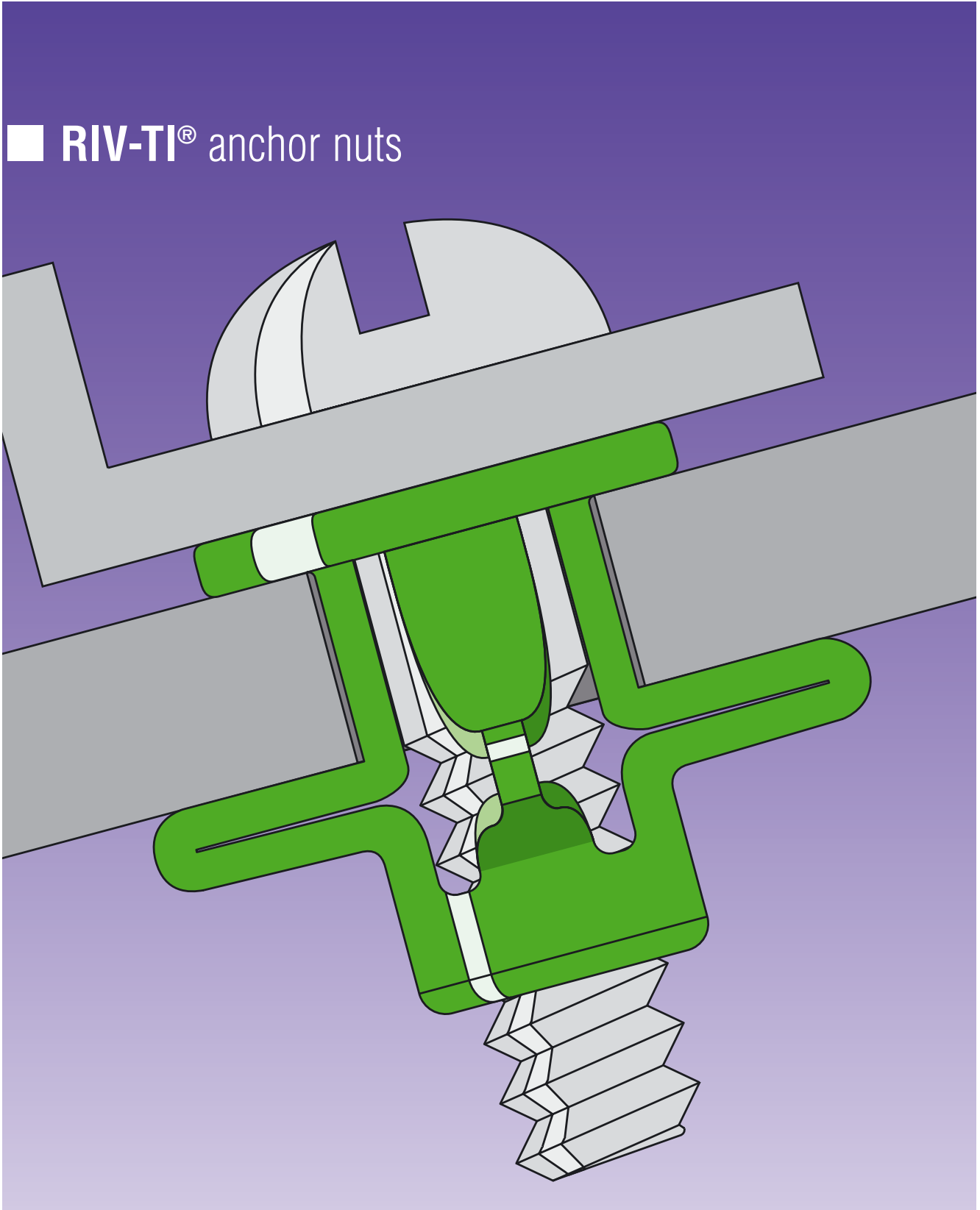


■ RIV-TI[®] anchor nuts

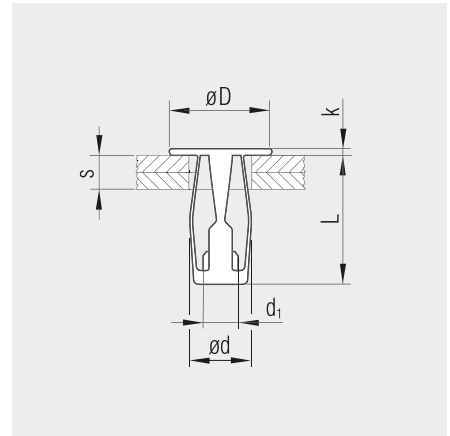



Threaded inserts

RIV-TI® anchor nuts

Material

 **Steel zinc**



Thread d_1	Grip range s [mm]	Hole- \varnothing [mm]	Body- \varnothing d [mm]	Head- \varnothing D [mm]	Head height k [mm]	Body length L [mm]	Part No.  Steel
M 4	0.4 – 4.8	8.2 – 8.4	8.1	11.9	1.8	14.8	331 140
M 5	0.4 – 4.8	9.8 – 10.1	9.7	13.5	1.8	16.3	331 150
M 6	0.4 – 4.8	11.2 – 11.4	11.1	15.9	1.8	16.7	331 160
	4.8 – 9.5	11.2 – 11.4	11.1	15.9	1.8	21.5	331 161

We reserve the right to amend specifications at any time.