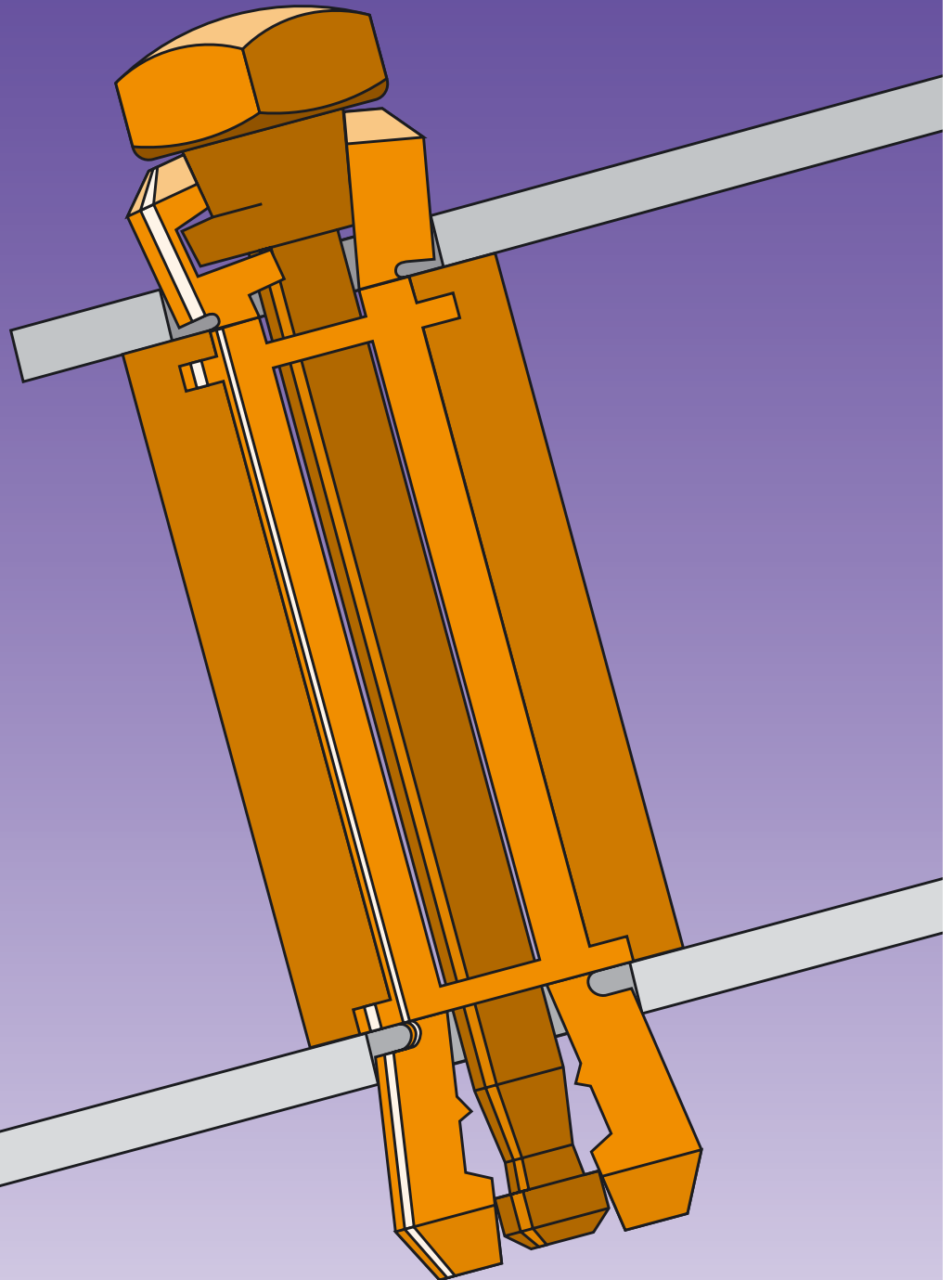


■ POLYSTIC® stand-offs



TITGEMEYER Tb1430GB(0110)2

POLYSTIC® stand-offs

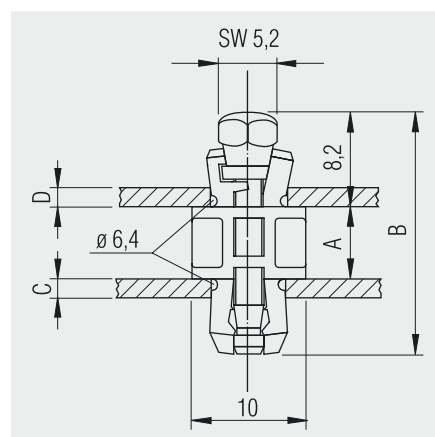
made of plastic with
1/4 turn lock

Temperature stability:
-40 °C to +170 °C

Colour: black

Material

 **Polycarbonate**



Hole- \varnothing	Stand-off height	Total height	Material thickness of base plate	Material thickness of circuit board	Part No.
d [mm]	A [mm]	B [mm]	C [mm]	D [mm]	
6.4	4.7	19.4	1.2 – 2.4	1.2 – 2.4	409 170
	6.4	21.3	1.2 – 2.4	1.2 – 2.4	409 171
	9.5	24.2	1.2 – 2.4	1.2 – 2.4	409 172
	12.7	27.3	1.2 – 2.4	1.2 – 2.4	409 173
	15.9	30.6	1.2 – 2.4	1.2 – 2.4	409 174
	19.1	33.7	1.2 – 2.4	1.2 – 2.4	409 175

We reserve the right to amend specifications at any time.