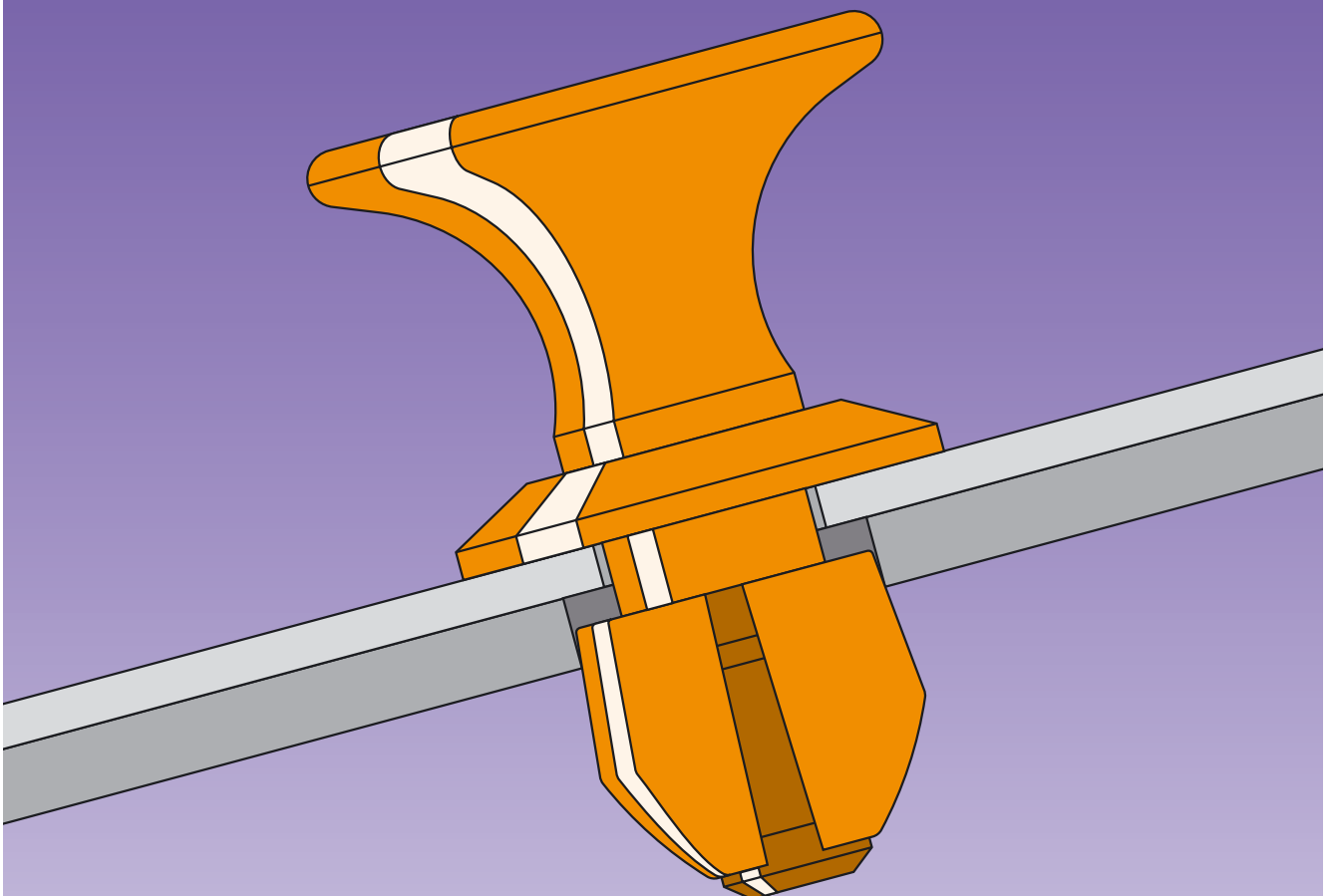


■ POLYSTIC[®] quick-release fasteners



TITGEMEYER Tb1431GG(0110)2

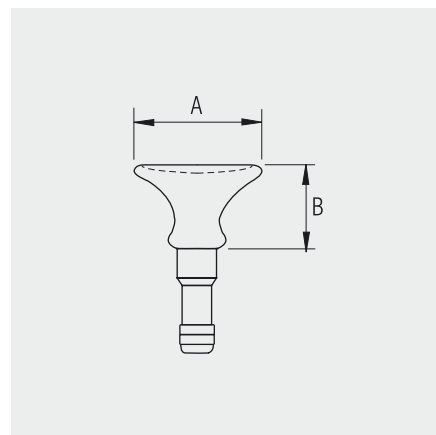
POLYSTIC® quick-release fasteners

Broad heads

Light touch button

Material

 Nylon

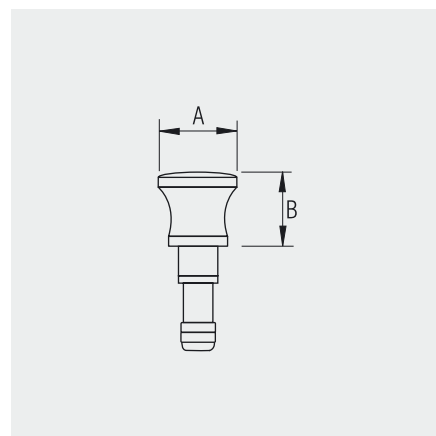


Nominal size- \varnothing d [mm]	A [mm]	B [mm]	Thickness of moving panel T plus thickness of the fixed mounting plate = G ¹ [mm]	Part No.	
				black	white
7.95	16.0	9.5	1.5 – 4.2	409 001	409 002
			3.0 – 5.3	409 003	–
			4.6 – 6.9	409 005	–
			5.8 – 8.1	409 007	–

Miniature button

Material

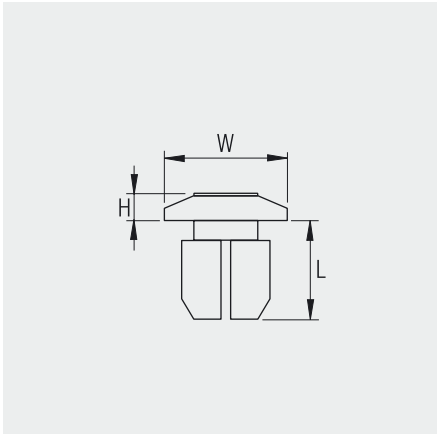
 Nylon



Nominal size- \varnothing d [mm]	A [mm]	B [mm]	Thickness of moving panel T plus thickness of the fixed mounting plate = G ¹ [mm]	Part No.	
				black	white
6.35	8.1	7.1	1.5 – 4.2	409 041	409 042
7.95	9.6	7.6	1.5 – 4.2	409 011	409 012

We reserve the right to amend specifications at any time.

POLYSTIC® quick-release fasteners
Locking sleeves



Material

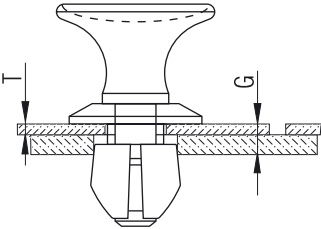
Polycarbonate

Nominal size- ϕ d [mm]	Break value [N]	Compressive force [N]	Temperature resistance °C	Hole for moving panel [mm]	Hole for mounting plate [mm]	H [mm]	L [mm]	W [mm]	Panel thickness T ¹ max [mm]	Part No.	
										black	White
6.35	176	333	90	6.15 – 6.05	6.35 – 6.45	2.0	9.4	8.5	1.0	409 121	409 122
						1.6	9.8	8.5	1.7	409 123	–
						1.6	10.9	8.5	2.5	409 125	–
						1.6	12.6	8.5	4.1	–	–
7.95	265	667	90	7.59 – 7.47	8.03 – 8.20	2.4	9.4	10.7	1.0	409 101	409 102
						2.0	9.8	10.7	1.7	409 103	409 104
						2.0	10.9	10.7	2.5	409 105	409 106
						2.0	12.6	10.7	4.1	409 107	409 108
						2.0	13.8	10.7	5.3	409 109	–

Assembly systems

¹ Assembly

Thickness of moving panel T plus thickness of the fixed mounting plate = G



We reserve the right to amend specifications at any time.

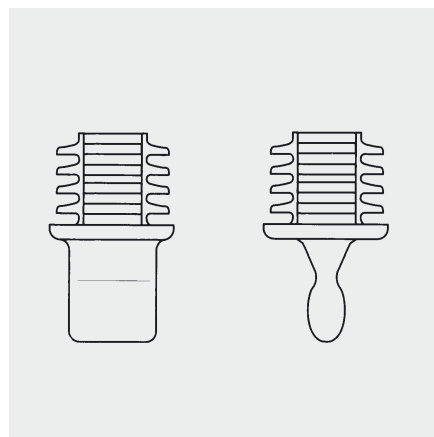
POLYSTIC® lock

Catch and latch

- quick and easy to install
- self-adhesive
- ideal for lightweight doors, drawers and controls
- anchor lock

Material

 **Polyamide**

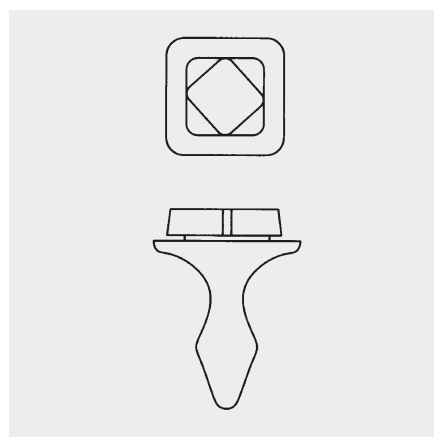


Dimensions [mm]	Material thickness [mm]	Hole diameter [mm]	Colour	Part No.
10.6 x 10.6 x 8.7	5	8	natur	-
10.6 x 10.6 x 8.7	5	8	black	435 100 000

- quick and easy to install
- self-adhesive
- ideal for lightweight doors, drawers and controls
- Quarter turn lock

Material

 **Polyamide**

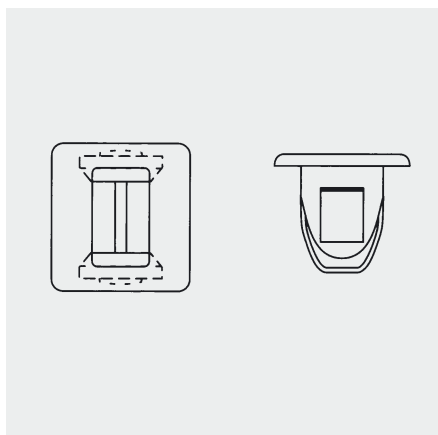


Dimensions [mm]	Material thickness [mm]	Hole [mm]	Colour	Part No.
13.0 x 13.0 x 13.0	1.6	6.75 x 7.35	natur	-
13.0 x 13.0 x 13.0	1.6	6.75 x 7.35	black	435 101 000
9.0 x 9.0 x 13.0	2.0	6.75 x 7.35	natur	-
9.0 x 9.0 x 13.0	2.0	6.75 x 7.35	black	435 102 000

The forces given are guidelines only. The user is responsible for determining the values required for his application.
Temperature range: -10 °C to 60 °C.

We reserve the right to amend specifications at any time.

POLYSTIC® lock Catch and latch



- quick and easy to install
- self-adhesive
- ideal for lightweight doors, drawers and controls

Material

Latch

■ Polyamide / Steel

Spring force	Dimensions [mm]	Hole [mm]	Material thickness [mm]	Colour	Part No.
+	15.0 x 18.2 x 1.7	12.5 x 11.6	1.5 – 2.0	neutral	–
+	15.0 x 18.2 x 1.7	12.5 x 11.6	1.5 – 2.0	black	435 090 000
++	18.0 x 20.0 x 1.7	16.7 x 13.1	0.9 – 1.5	neutral	–
++	18.0 x 20.0 x 1.7	16.7 x 13.1	0.9 – 1.5	black	435 091 000
+++	18.0 x 20.0 x 1.7	16.7 x 13.1	0.9 – 1.5	neutral	–
+++	18.0 x 20.0 x 1.7	16.7 x 13.1	0.9 – 1.5	black	435 092 000

+ = slight clamp force
++ = medium clamp force
+++ = high clamp force

Combination	435 090 000	435 091 000	435 092 000
435 100 000	•	–	–
435 101 000	–	•	•
435 102 000	–	•	•

We reserve the right to amend specifications at any time.

