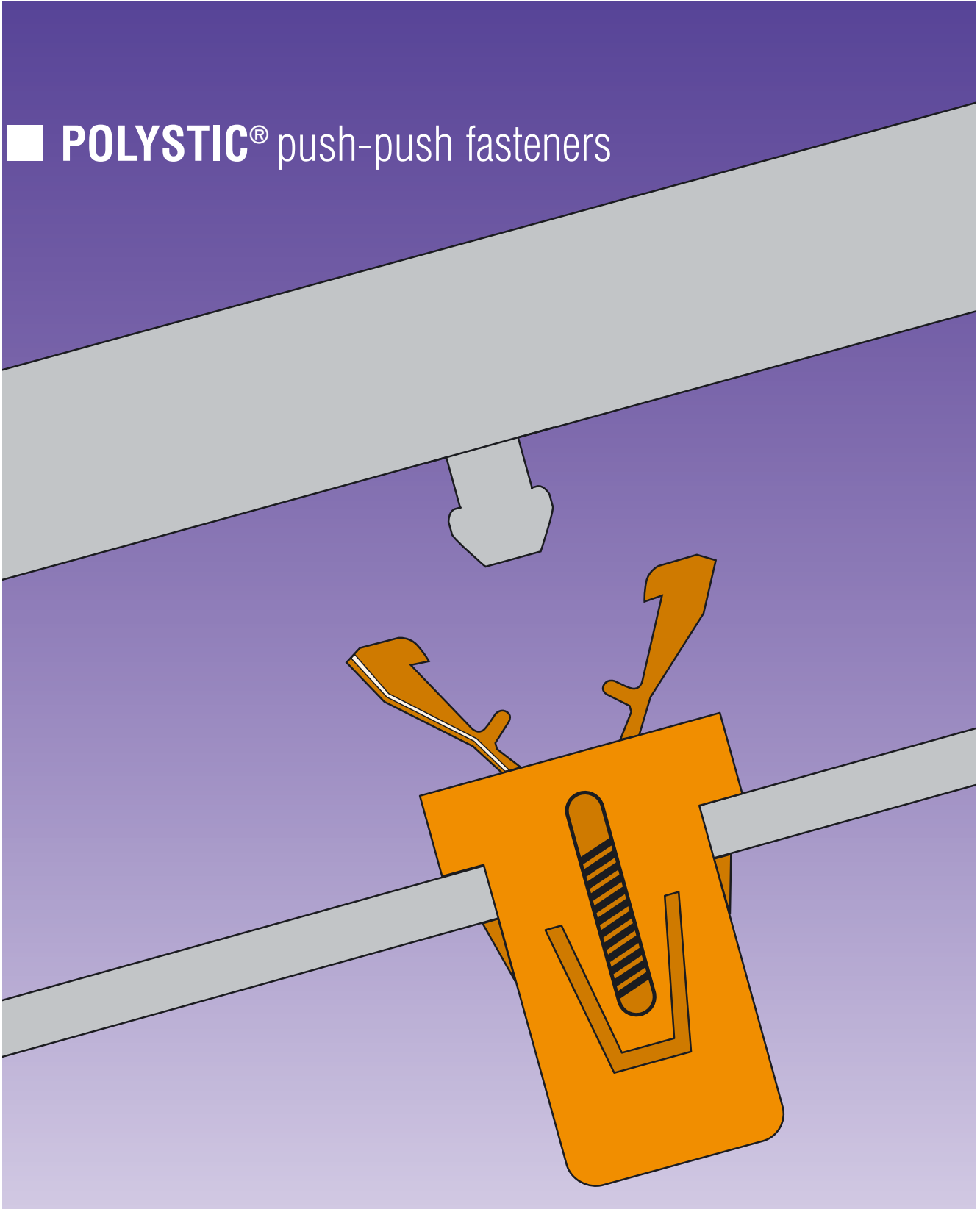


■ POLYSTIC[®] push-push fasteners



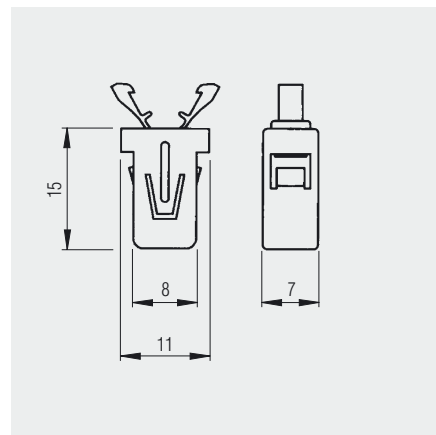
POLYSTIC® push-push fasteners

Push Push clip

- quick and easy front assembly
- reliable, durable lock
- ideal for lightweight doors, drawers and controls
- no screws, bolts or rivets required
- ideal for profile applications
- temperature range: -10 °C to 60 °C
- Force on opening and closing approx. 7 N

Material

Polyamide / Steel

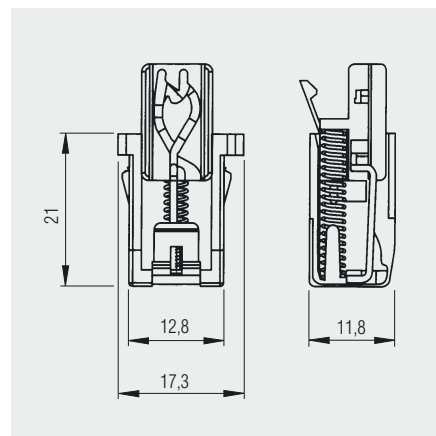


Dimensions [mm]	Colour	Part No.
6.8 x 8.0	black	435 082 000

- quick and easy front assembly
- reliable, durable lock
- ideal for lightweight doors, drawers and controls
- no screws, bolts or rivets required
- ideal for profile applications
- force on closing 13 – 15 N max.
- force on opening 13 – 15 N min.
- retention force when closed 70 – 82 N

Material

Polyamide / Steel



Dimensions [mm]	Colour	Part No.
12.8 x 11.8	black	435 080 000

The forces given are for guidance only. The user is responsible for determining the values required for his application. Dimensional drawings for the corresponding snap-fit hooks available from supplier.

We reserve the right to amend specifications at any time.