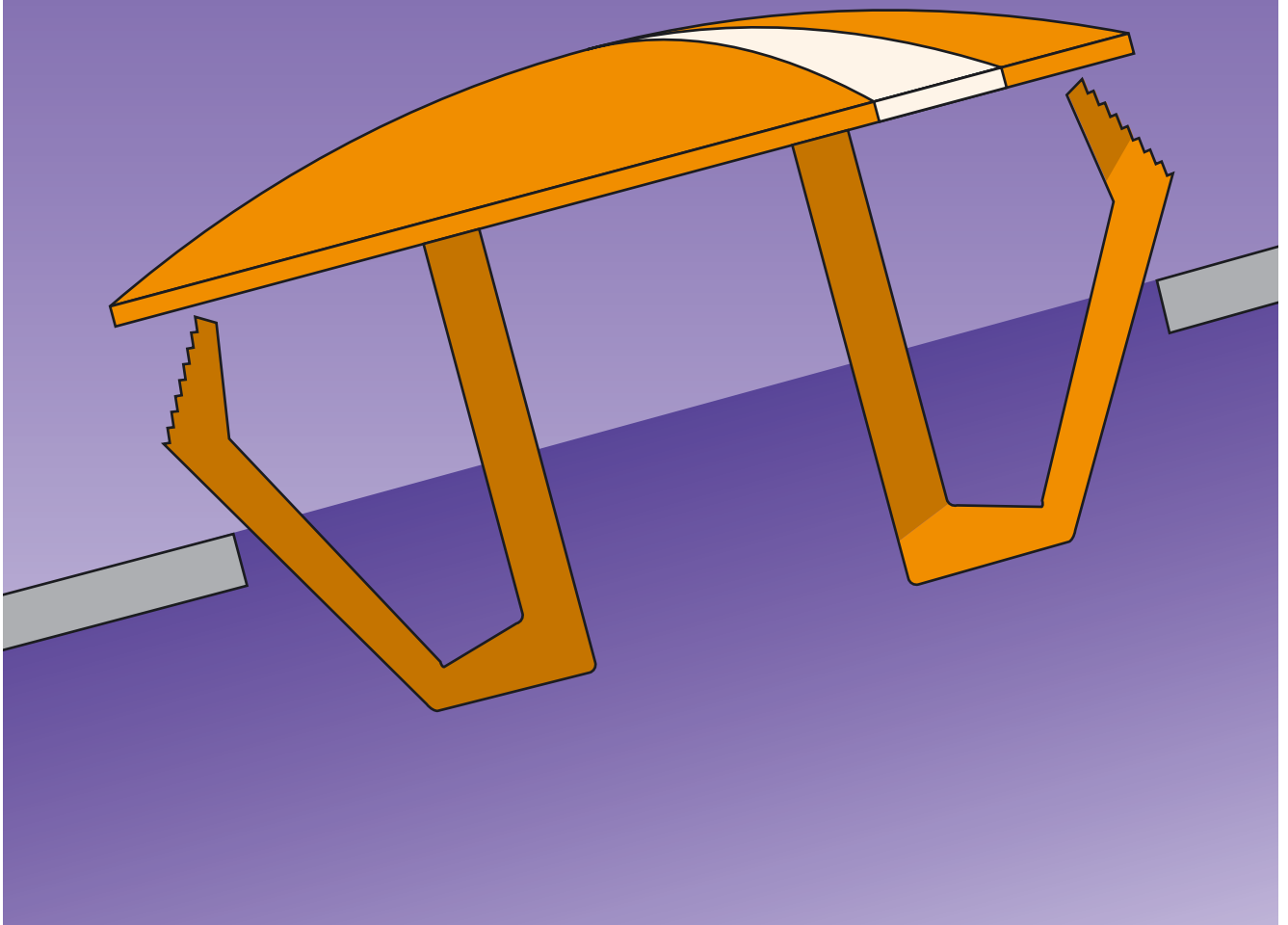


■ POLYSTIC[®] caps

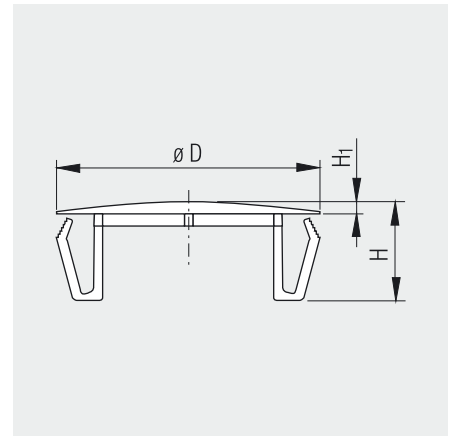


TITGEMEYER Tb1429GB(01110)2

POLYSTIC® caps

Material

■ high-grade polyacetal (POM)



Hole- \varnothing [mm]	Cap- \varnothing $\varnothing D$ [mm]	Cap height		Material thickness [mm]	Packing unit [piece]	Part No. Colour black
		H [mm]	H_1 [mm]			
9.5 – 11.0	16.0	12.6	1.6	0.8 – 3.2	1000	435 010
12.7 – 14.3	18.5	12.0	1.6	0.8 – 3.2	1000	435 011
15.0 – 17.5	21.5	12.0	1.6	0.8 – 3.2	1000	435 012
18.4 – 20.6	25.0	12.0	1.6	0.8 – 3.2	1000	435 013
22.0 – 25.5	32.5	13.2	1.6	0.8 – 3.2	1000	435 014
28.0 – 30.0	35.0	13.2	1.6	0.8 – 3.2	1000	435 015
35.0 – 38.0	43.0	13.2	1.6	0.8 – 3.2	1000	435 016
45.0 – 47.5	52.0	13.2	1.6	0.8 – 3.2	1000	435 017

On request: • Other dimensions and colours

We reserve the right to amend specifications at any time.