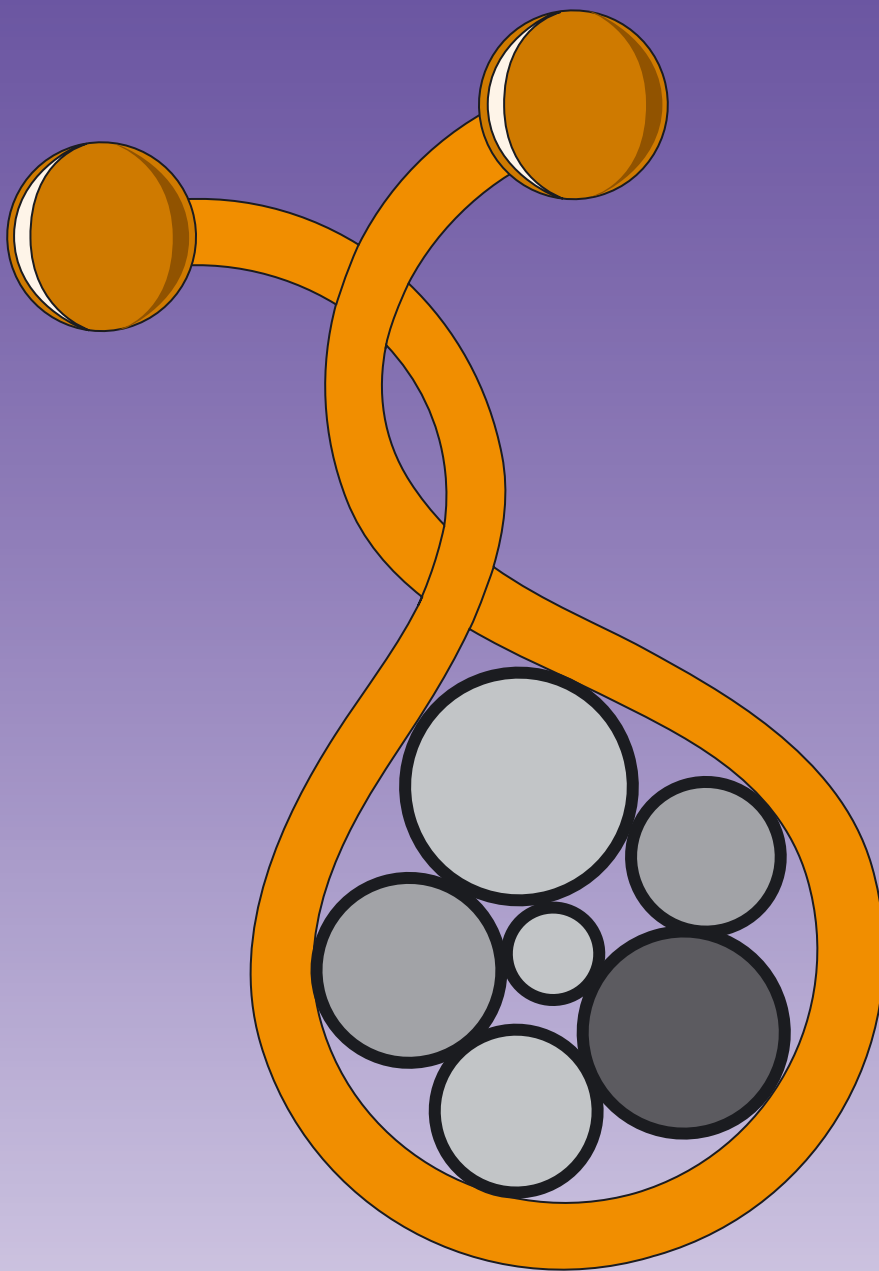


■ POLYSTIC[®] cable ties



POLYSTIC® cable ties

Twist lock

Twist lock

- quick and easy bundling of cables
- twist lock
- quick to open and close
- reusable

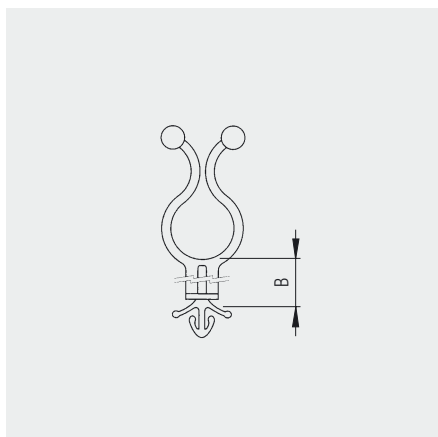
Material

 **Polyamid PA**



Diameter of bundle max. [mm]	Colour	Part No.
10 – 12.5	neutral	–
	black	435 570 000
5 – 10	neutral	–
	black	435 571 000
25.4 – 30.2	neutral	–
	black	435 572 000

We reserve the right to amend specifications at any time.



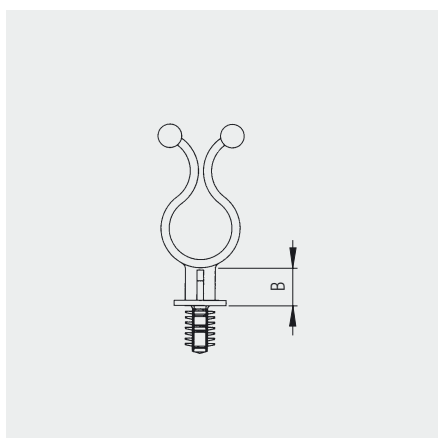
Twist lock hole fitting

- quick and easy bundling of cables
- hole fitting
- twist lock
- quick to open and close
- reusable

Material

 **Polyamid PA**

Diameter of bundle max. [mm]	Hole- \varnothing max. [mm]	Grip range [mm]		Plinth height B [mm]	Colour	Part No.
7.6	4.75	0.25 – 0.9		31.5	neutral	435 575 000



Twist lock hole fitting

- quick and easy bundling of cables
- hole fitting
- twist lock
- quick to open and close
- reusable

Material

 **Polyamid PA**

Diameter of bundle max. [mm]	Hole- \varnothing max. [mm]	Grip range [mm]		Plinth height B [mm]	Colour	Part No.
14.35 – 15.25	6.2 – 6.5	1.4 – 11		3.2	neutral	435 576 000
25.4 – 30.5	7.9 – 8.25	1.5 – 10.15		6.35	neutral	435 577 000

We reserve the right to amend specifications at any time.

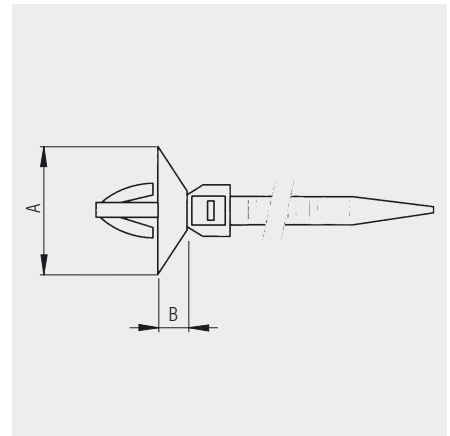
POLYSTIC® cable ties

Hole fitting, removable

- quick and easy to install
- removable
- quick to open and close
- reusable

Material

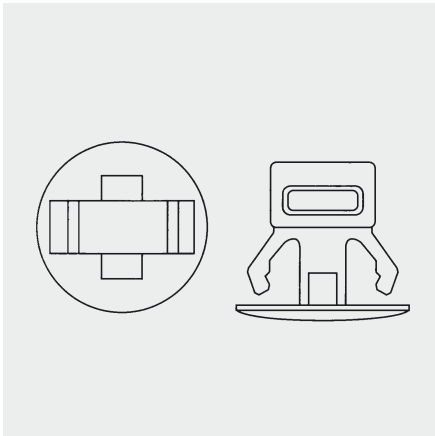
 **Polyamid PA**



Diameter of bundle max. [mm]	Hole- \emptyset max. [mm]	Grip range [mm]	Plinth diameter A [mm]	Plinth height B [mm]	Colour	Part No.
3 – 20	6 – 6.5	0.6 – 2.5	18	4.2	black	435 580 000
3 – 20	6 – 6.5	0.6 – 2.5	18	4.2	black	435 581 000
8 – 37	6 – 6.5	0.6 – 2.5	16	3	black	435 582 000
3.5 – 20	6.5	0.8 – 2.2	17	10.6	black	435 583 000
5 – 20	6 – 6.5	0.8 – 2.2	19	10	black	435 584 000

We reserve the right to amend specifications at any time.

POLYSTIC® cable ties
With eye for use with standard commercial cable ties



- quick and easy to install
- reusable

Material

 **Polyamid PA**

Cable tie width [mm]	Hole- \emptyset max. [mm]	Grip range [mm]	Colour	Part No.
5	9.5	1.0 – 2.5	black	435 585 000

We reserve the right to amend specifications at any time.

NOTES

