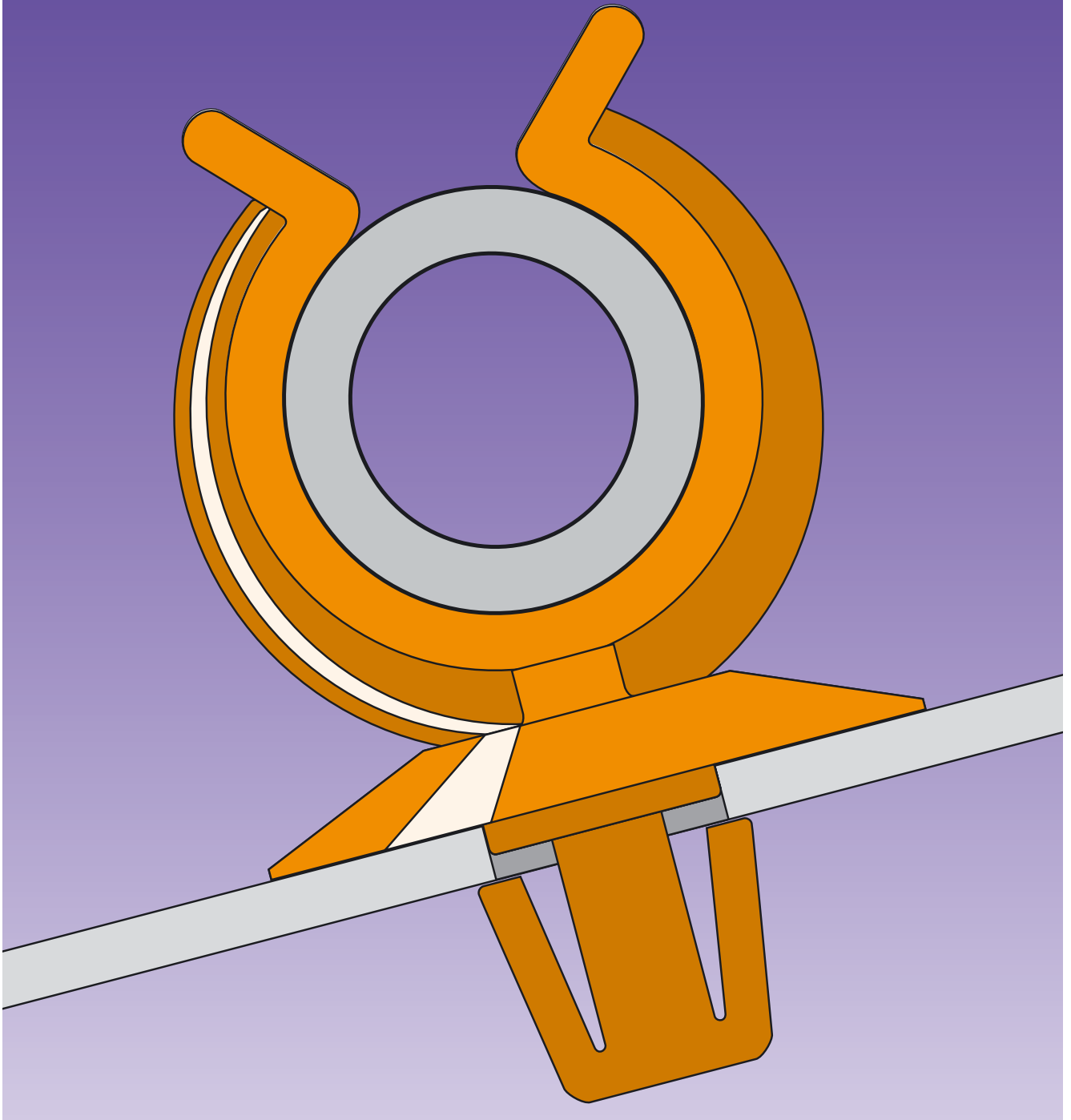


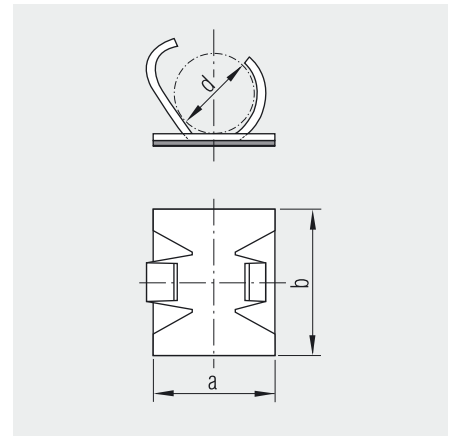
■ POLYSTIC[®] cable clips



POLYSTIC® cable clips
self-adhesive

Material

■ Aluminium



Grip range up to max cable- \varnothing d [mm]	Size of base plate a x b [mm]	Temperature resistance [°C]	Melt resistance, e.g. on stainless steel, rust-free [N/cm ²]	Adhesive	Part No. ■ Aluminium
6	11 x 16	-40 to +70	0.7	india rubber	436 609
10	16 x 19	-40 to +70	0.7	india rubber	436 610