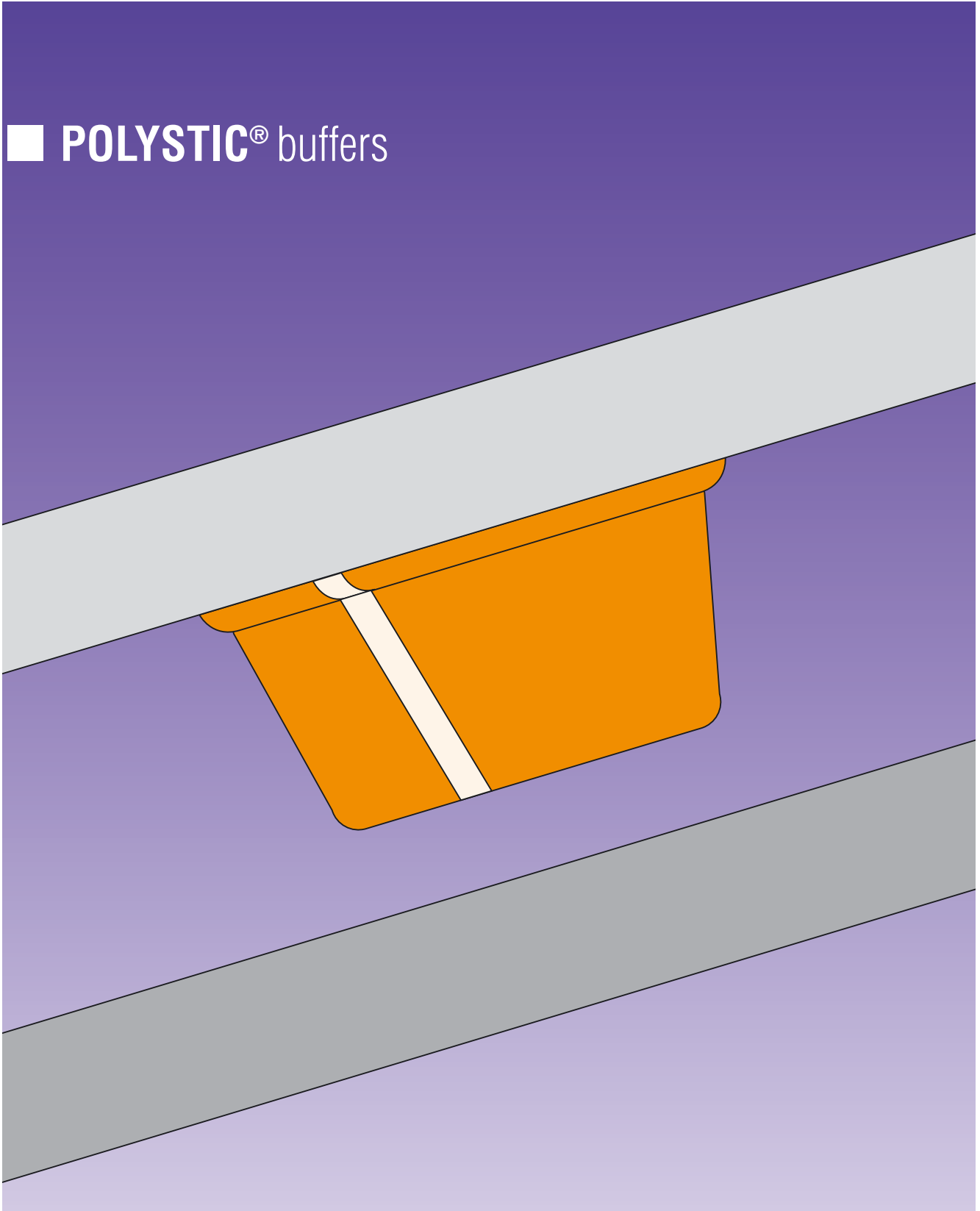


■ POLYSTIC® buffers

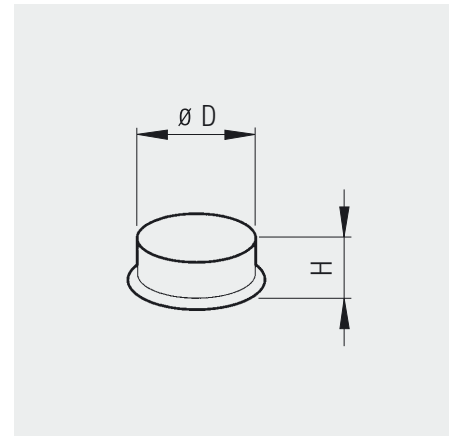


Assembly systems

POLYSTIC® buffers

Impact buffer / adhesive base

- quick and easy to install
- self-adhesive mounting surface
- rubber-based adhesive for greater bond strength
- buffer leaves no marks
- exceptional slip resistance
- material hardnesses from 55-65 Shore A



Material

Polyurethane PUR

Diameter D [mm]	Height H [mm]	Piece / Panel	Colour	Part No.
7.95	2.15	75	transparent	436 650 000
7.95	2.15	75	white	436 651 000
12.7	3.55	50	transparent	436 652 000
12.7	3.55	50	white	436 653 000
12.7	6.35	50	white	436 654 000

All dimensions +/- 0.5 mm, measured without adhesive backing

- Note:
- Buffers are not centrally punched at the buffer rim
 - The listed dimensions are nominal