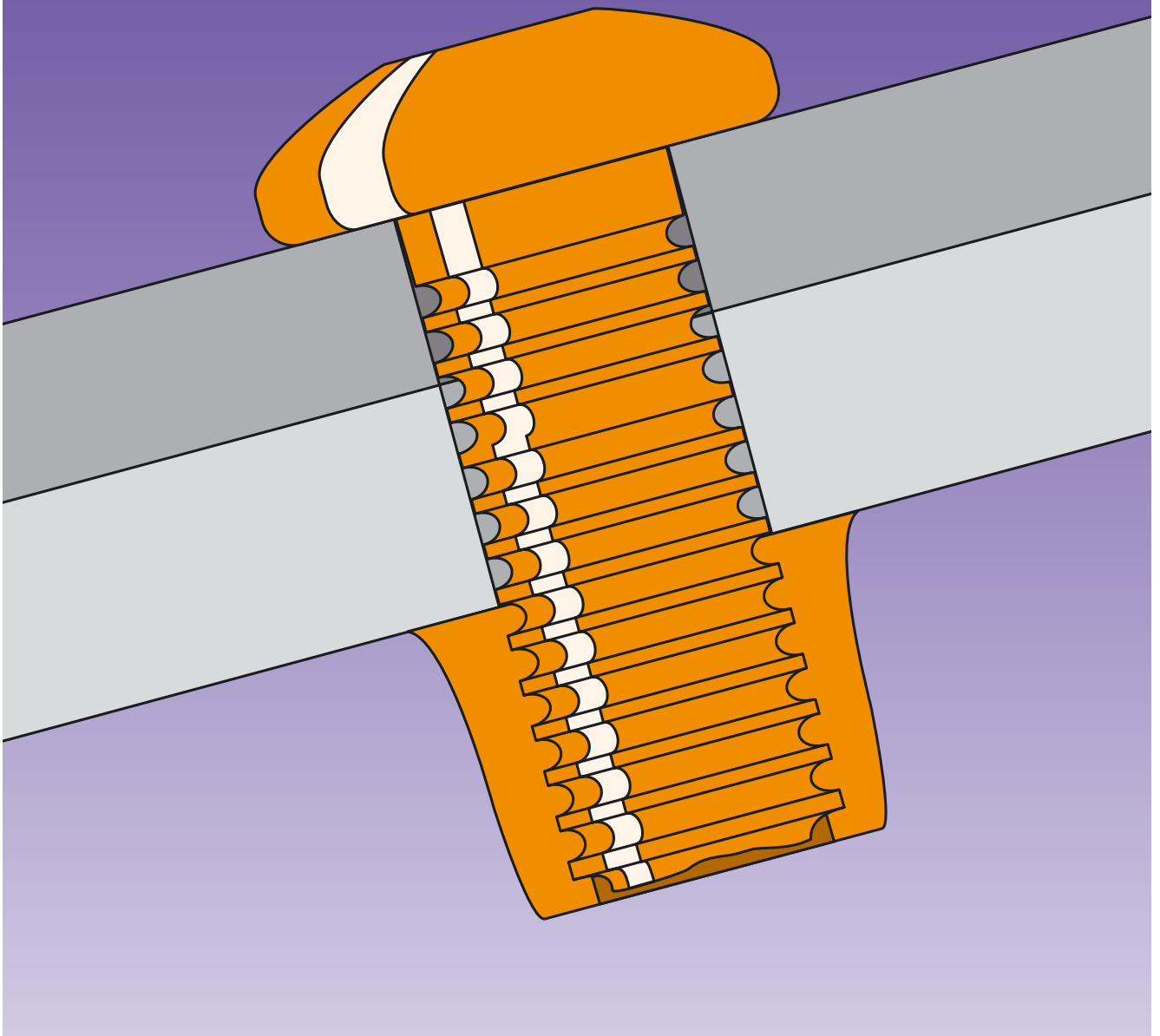


## ■ Lockbolt-systems Maxigrip



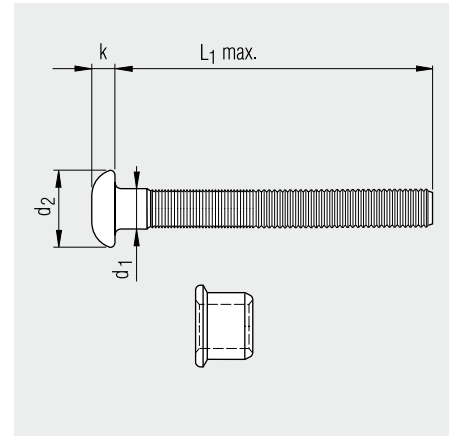
TITGEMEYER Tb14226B(01/10)2

# Lockbolt-systems Maxigrip

Brazier head

## Material

**Hardened steel** (Type 5.8)  
zinc, passivate



Nominal pin-Ø	Hole-Ø	Grip range	Dimensions				Strength		Clamp	Part No.	
			L <sub>1</sub> max	d <sub>1</sub>	d <sub>2</sub> max	k max	Shear	Tensile		Flange collar	Pin
[mm]	[mm]	[mm]	[mm]	[mm]	[mm]	[mm]	[N]	[N]	[N]	■ Steel, zinc	■ Steel Type 5.8
5.0	5.2 <sup>-0.2</sup>	1.5 – 16.0	48.0	5.0 <sup>-0.2</sup>	10.1	3.3	7500	7300	4000	378 940	<b>378 900</b>
		16.0 – 32.0	61.0	5.0 <sup>-0.2</sup>	10.1	3.3	7500	7300	4000	378 940	<b>378 901<sup>1</sup></b>
		8.0 – 32.0	61.0	5.0 <sup>-0.2</sup>	10.1	3.3	7500	7300	4000	378 940	<b>378 904</b>
6.5	6.8 <sup>-0.2</sup>	1.5 – 16.0	52.5	6.6 <sup>-0.2</sup>	13.4	4.0	9800	13300	5300	378 941	<b>378 908</b>
		16.0 – 32.0	67.0	6.6 <sup>-0.2</sup>	13.4	4.0	9800	13300	5300	378 941	<b>378 909<sup>1</sup></b>
		8.0 – 32.0	67.0	6.6 <sup>-0.2</sup>	13.4	4.0	9800	13300	5300	378 941	<b>378 912</b>
8.0	8.4 <sup>-0.2</sup>	3.0 – 19.0	60.0	8.2 <sup>-0.2</sup>	16.7	5.2	13300	20400	9500	378 942	<b>378 916</b>
		16.0 – 35.0	73.0	8.2 <sup>-0.2</sup>	16.7	5.2	13300	20400	9500	378 942	<b>378 920<sup>1</sup></b>
10.0	10.0 <sup>-0.2</sup>	3.0 – 22.0	73.5	9.8 <sup>-0.2</sup>	20.0	6.3	18500	28000	14000	378 943	<b>378 924<sup>1</sup></b>
		20.5 – 41.0	90.5	9.8 <sup>-0.2</sup>	20.0	6.3	18500	28000	14000	378 943	<b>378 928<sup>1</sup></b>

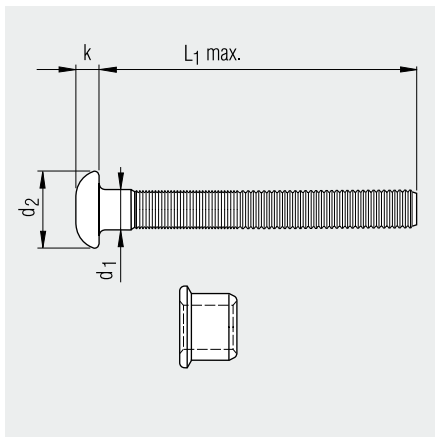
<sup>1</sup> Not standard stock - minimum order quantity and delivery time on request

The tensile strengths for steel lockbolts are average values determined during testing.  
These grip ranges refer to the use of flanged collars.  
See collar table for technical data.

Flanged collars must be ordered separately.

On request: • Lockbolts in steel and aluminium alloys with extra large heads

We reserve the right to amend specifications at any time.



Brazier head

Material

■ Aluminium

Nominal pin- $\emptyset$	Hole- $\emptyset$	Grip range	Dimensions				Strength		Clamp	Part No.	
			L <sub>1</sub> max [mm]	d <sub>1</sub> [mm]	d <sub>2</sub> max [mm]	k max [mm]	Shear [N]	Tensile [N]		Flange collar	Pin
[mm]	[mm]	[mm]	[mm]	[mm]	[mm]	[mm]	[N]	[N]	[N]	<span style="color: red;">■</span> Aluminium alloys	<span style="color: red;">■</span> Aluminium
5.0	5.2 <sup>-0.2</sup>	1.5 – 16.0	48.0	5.0 <sup>-0.2</sup>	10.1	3.3	3300	4000	2500	378 990	<b>378 950</b>
		16.0 – 32.0	61.0	5.0 <sup>-0.2</sup>	10.1	3.3	3300	4000	2500	378 990	<b>378 951<sup>1</sup></b>
		8.0 – 32.0	61.0	5.0 <sup>-0.2</sup>	10.1	3.3	3300	4000	2500	378 990	<b>378 954</b>
6.5	6.8 <sup>-0.2</sup>	1.5 – 16.0	52.5	6.6 <sup>-0.2</sup>	13.4	4.0	5300	7200	4000	378 991	<b>378 958</b>
		16.0 – 32.0	67.0	6.6 <sup>-0.2</sup>	13.4	4.0	5300	7200	4000	378 991	<b>378 959<sup>1</sup></b>
		8.0 – 32.0	67.0	6.6 <sup>-0.2</sup>	13.4	4.0	5300	7200	4000	378 991	<b>378 962</b>
8.0	8.4 <sup>-0.2</sup>	3.0 – 19.0	60.0	8.2 <sup>-0.2</sup>	16.7	5.2	9500	11000	7000	378 992	<b>378 966<sup>1</sup></b>
		16.0 – 35.0	73.0	8.2 <sup>-0.2</sup>	16.7	5.2	9500	11000	7000	378 992	<b>378 970<sup>1</sup></b>
10.0	10.0 <sup>-0.2</sup>	3.0 – 22.0	73.5	9.8 <sup>-0.2</sup>	20.0	6.3	13000	17500	10500	378 993	<b>378 974<sup>1</sup></b>
		20.5 – 41.0	90.5	9.8 <sup>-0.2</sup>	20.0	6.3	13000	17500	10500	378 993	<b>378 978<sup>1</sup></b>

<sup>1</sup> Not standard stock - minimum order quantity and delivery time on request

The tensile strengths for steel lockbolts are average values determined during testing. These grip ranges refer to the use of flanged collars. See collar table for technical data.

Flanged collars must be ordered separately.

On request: • Lockbolts in steel and aluminium alloys with extra large heads

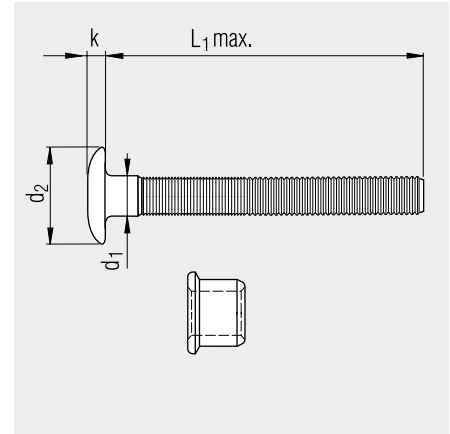
We reserve the right to amend specifications at any time.

# Lockbolt-systems Maxigrip

Truss head

## Material

**Hardened steel** (Type 5.8)  
zinc, passivate



Nominal pin-Ø	Hole-Ø	Grip range	Dimensions				Strength		Clamp	Part No.	
			L <sub>1</sub> max	d <sub>1</sub>	d <sub>2</sub> max	k max	Shear	Tensile		Flange collar	Pin
[mm]	[mm]	[mm]	[mm]	[mm]	[mm]	[mm]	[N]	[N]	[N]	■ Steel, zinc	■ Steel Type 5.8
5.0	5.2 <sup>-0.2</sup>	1.5 – 16.0	48.0	5.0 <sup>-0.2</sup>	12.6	3.0	7500	7300	4000	378 940	<b>378 902</b>
		16.0 – 32.0	61.0	5.0 <sup>-0.2</sup>	12.6	3.0	7500	7300	4000	378 940	<b>378 905<sup>1</sup></b>
6.5	6.8 <sup>-0.2</sup>	1.5 – 16.0	52.5	6.6 <sup>-0.2</sup>	15.3	3.6	9800	13300	5300	378 941	<b>378 910</b>
		16.0 – 32.0	67.0	6.6 <sup>-0.2</sup>	15.3	3.6	9800	13300	5300	378 941	<b>378 913<sup>1</sup></b>
		8.0 – 32.0	67.0	6.6 <sup>-0.2</sup>	15.3	3.6	9800	13300	5300	378 941	<b>378 914</b>
8.0	8.4 <sup>-0.2</sup>	3.0 – 19.0	60.0	8.2 <sup>-0.2</sup>	20.3	3.6	13300	20400	9500	378 942	<b>378 918<sup>1</sup></b>
		16.0 – 35.0	73.0	8.2 <sup>-0.2</sup>	20.3	3.6	13300	20400	9500	378 942	<b>378 922</b>
10.0	10.0 <sup>-0.2</sup>	3.0 – 22.0	73.5	9.8 <sup>-0.2</sup>	23.5	4.3	18500	28000	14000	378 943	<b>378 926<sup>1</sup></b>
		20.5 – 41.0	90.5	9.8 <sup>-0.2</sup>	23.5	5.1	18500	28000	14000	378 943	<b>378 930<sup>1</sup></b>

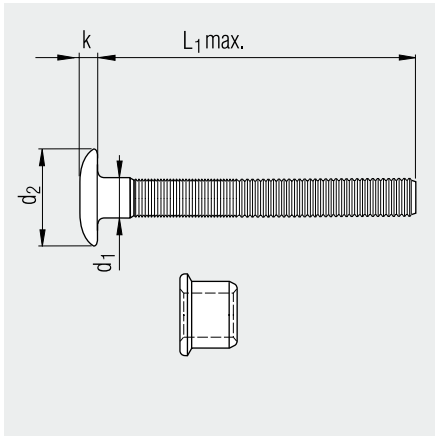
<sup>1</sup> Not standard stock - minimum order quantity and delivery time on request

Flanged collars must be ordered separately.

The tensile strengths for steel lockbolts are average values determined during testing.  
These grip ranges refer to the use of flanged collars.  
See collar table for technical data.

On request: • Lockbolts in steel and aluminium alloys with extra large heads

We reserve the right to amend specifications at any time.



Truss head

Material

■ Aluminium

Nominal pin- $\varnothing$	Hole- $\varnothing$	Grip range	Dimensions				Strength		Clamp	Part No.	
			$L_1$ max	$d_1$	$d_2$ max	$k$ max	Shear	Tensile		Flange collar	Pin
[mm]	[mm]	[mm]	[mm]	[mm]	[mm]	[mm]	[N]	[N]	[N]	<span style="color: red;">■</span> Aluminium alloys	<span style="color: red;">■</span> Aluminium
5.0	5.2 <sup>-0.2</sup>	1.5 – 16.0	48.0	5.0 <sup>-0.2</sup>	12.6	3.0	3300	4000	2500	378 990	<b>378 952</b>
		16.0 – 32.0	61.0	5.0 <sup>-0.2</sup>	12.6	3.0	3300	4000	2500	378 990	<b>378 955<sup>1</sup></b>
6.5	6.8 <sup>-0.2</sup>	1.5 – 16.0	52.5	6.6 <sup>-0.2</sup>	15.3	3.6	5300	7200	4000	378 991	<b>378 960</b>
		16.0 – 32.0	67.0	6.6 <sup>-0.2</sup>	15.3	3.6	5300	7200	4000	378 991	<b>378 963<sup>1</sup></b>
		8.0 – 32.0	67.0	6.6 <sup>-0.2</sup>	15.3	3.6	5300	7200	4000	378 991	<b>378 964</b>
8.0	8.4 <sup>-0.2</sup>	3.0 – 19.0	60.0	8.2 <sup>-0.2</sup>	20.3	3.6	9500	11000	7000	378 992	<b>378 968<sup>1</sup></b>
		16.0 – 35.0	73.0	8.2 <sup>-0.2</sup>	20.3	3.6	9500	11000	7000	378 992	<b>378 972</b>
10.0	10.0 <sup>-0.2</sup>	3.0 – 22.0	73.5	9.8 <sup>-0.2</sup>	23.5	4.3	13000	17500	10500	378 993	<b>378 976<sup>1</sup></b>
		20.5 – 41.0	90.5	9.8 <sup>-0.2</sup>	23.5	5.1	13000	17500	10500	378 993	<b>378 980<sup>1</sup></b>

<sup>1</sup> Not standard stock - minimum order quantity and delivery time on request

Flanged collars must be ordered separately.

The tensile strengths for steel lockbolts are average values determined during testing.

These grip ranges refer to the use of flanged collars.

See collar table for technical data.

On request: • Lockbolts in steel and aluminium alloys with extra large heads

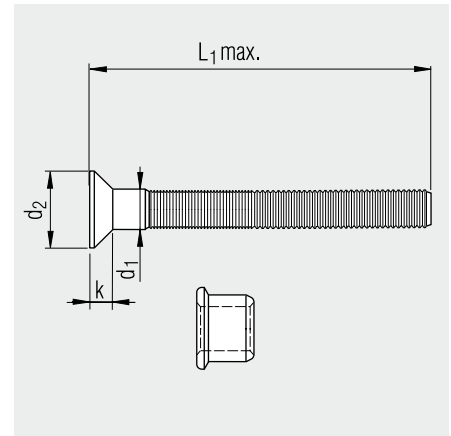
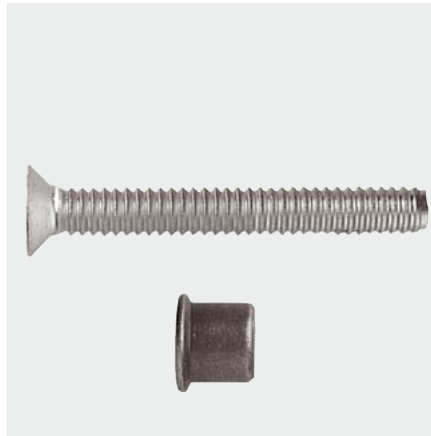
We reserve the right to amend specifications at any time.

# Lockbolt-systems Maxigrip

Countersunk head 90°

## Material

**Hardened steel** (Type 5.8)  
zinc, passivate



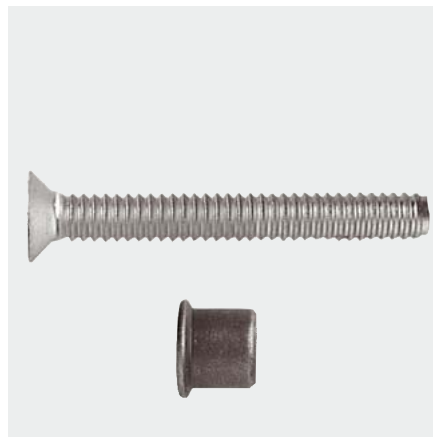
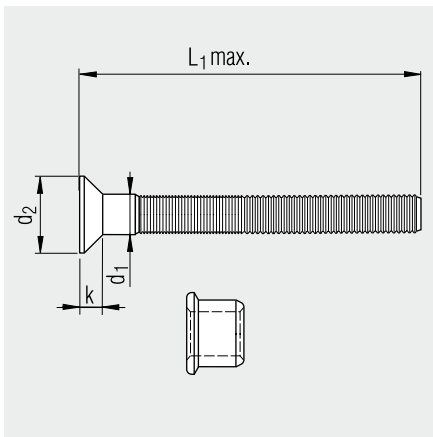
Nominal pin- $\varnothing$	Hole- $\varnothing$	Grip range	Dimensions				Strength		Clamp	Part No.	
			L <sub>1</sub> max	d <sub>1</sub>	d <sub>2</sub> max	k max	Shear	Tensile		Flange collar	Pin
[mm]	[mm]	[mm]	[mm]	[mm]	[mm]	[mm]	[N]	[N]	[N]	■ Steel, zinc	■ Steel Type 5.8
<b>5.0</b>	5.2 <sup>-0.2</sup>	1.5 – 16.0	48.0	5.0 <sup>-0.2</sup>	9.3	2.6	7500	7300	4000	378 940	<b>378 903<sup>1</sup></b>
		8.0 – 32.0	61.0	5.0 <sup>-0.2</sup>	9.3	2.6	7500	7300	4000	378 940	<b>378 907<sup>1</sup></b>
<b>6.5</b>	6.8 <sup>-0.2</sup>	1.5 – 16.0	52.5	6.6 <sup>-0.2</sup>	12.2	3.3	9800	13300	5300	378 941	<b>378 911<sup>1</sup></b>
		8.0 – 32.0	67.0	6.6 <sup>-0.2</sup>	12.2	3.3	9800	13300	5300	378 941	<b>378 915<sup>1</sup></b>
<b>8.0</b>	8.4 <sup>-0.2</sup>	3.0 – 19.0	60.0	8.2 <sup>-0.2</sup>	15.1	4.2	13300	20400	9500	378 942	<b>378 919<sup>1</sup></b>
		16.0 – 35.0	73.0	8.2 <sup>-0.2</sup>	15.1	3.6	13300	20400	9500	378 942	<b>378 923<sup>1</sup></b>
<b>10.0</b>	10.0 <sup>-0.2</sup>	3.0 – 22.0	73.5	9.8 <sup>-0.2</sup>	18.2	5.0	18500	28000	14000	378 943	<b>378 927<sup>1</sup></b>
		20.5 – 41.0	90.5	9.8 <sup>-0.2</sup>	18.2	5.0	18500	28000	14000	378 943	<b>378 931<sup>1</sup></b>

<sup>1</sup> Not standard stock - minimum order quantity and delivery time on request

Flanged collars must be ordered separately.

The tensile strengths for steel lockbolts are average values determined during testing.  
These grip ranges refer to the use of flanged collars.  
See collar table for technical data.

We reserve the right to amend specifications at any time.



Countersunk head 90°

## Material

■ Aluminium

Nominal pin-ø [mm]	Hole-ø [mm]	Grip range [mm]	Dimensions				Strength		Clamp [N]	Part No.	
			L <sub>1</sub> max [mm]	d <sub>1</sub> [mm]	d <sub>2</sub> max [mm]	k max [mm]	Shear [N]	Tensile [N]		Flange collar ■ Aluminium alloys	Pin ■ Aluminium
5.0	5.2 <sup>-0.2</sup>	1.5 – 16.0	48.0	5.0 <sup>-0.2</sup>	9.3	2.6	3300	4000	2500	378 990	<b>378 953<sup>1</sup></b>
		16.0 – 32.0	61.0	5.0 <sup>-0.2</sup>	9.3	2.6	3300	4000	2500	378 990	<b>378 957<sup>1</sup></b>
6.5	6.8 <sup>-0.2</sup>	1.5 – 16.0	52.5	6.6 <sup>-0.2</sup>	12.2	3.3	5300	7200	4000	378 991	<b>378 961<sup>1</sup></b>
		8.0 – 32.0	67.0	6.6 <sup>-0.2</sup>	12.2	3.3	5300	7200	4000	378 991	<b>378 965<sup>1</sup></b>
8.0	8.4 <sup>-0.2</sup>	3.0 – 19.0	60.0	8.2 <sup>-0.2</sup>	15.1	4.2	9500	11000	7000	378 992	<b>378 969<sup>1</sup></b>
		16.0 – 35.0	73.0	8.2 <sup>-0.2</sup>	15.1	3.6	9500	11000	7000	378 992	<b>378 973</b>
10.0	10.0 <sup>-0.2</sup>	3.0 – 22.0	73.5	9.8 <sup>-0.2</sup>	18.2	5.0	13000	17500	10500	378 993	<b>378 977<sup>1</sup></b>
		20.5 – 41.0	90.5	9.8 <sup>-0.2</sup>	18.2	5.0	13000	17500	10500	378 993	<b>378 981<sup>1</sup></b>

<sup>1</sup> Not standard stock - minimum order quantity and delivery time on request

Flanged collars must be ordered separately.

The tensile strengths for aluminium alloys are average values determined during testing. These grip ranges refer to the use of flanged collars. See collar table for technical data.

We reserve the right to amend specifications at any time.

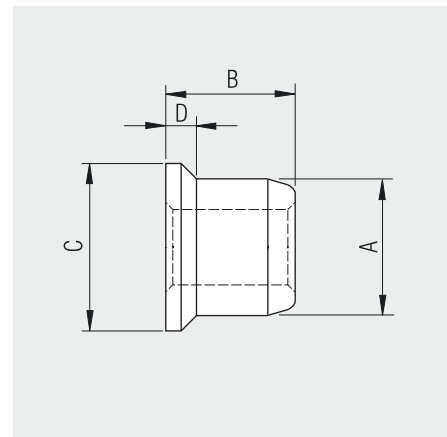
# Lockbolt-systems Maxigrip

## Collars

Flange collars

### Material

- **Hardened steel**  
zinc, passivate
- **Aluminium**



Nominal pin- $\varnothing$  [mm]	Dimensions				Part No.	
	A min [mm]	B max [mm]	C max [mm]	D max [mm]	<span style="color: blue;">■</span> Steel, zinc	<span style="color: red;">■</span> Aluminium
<b>5.0</b>	7.7	7.2	9.8	1.6	<b>378 940</b>	<b>378 990</b>
<b>6.5</b>	10.2	9.7	13.1	1.8	<b>378 941</b>	<b>378 991</b>
<b>8.0</b>	12.7	11.3	16.2	2.2	<b>378 942</b>	<b>378 992</b>
<b>10.0</b>	15.3	13.0	19.3	2.5	<b>378 943</b>	<b>378 993</b>

All collars are lubricated.

- On request:
- Collars with larger flange
  - Flange collars with flexible plastic lip to assist fitting.

We reserve the right to amend specifications at any time.