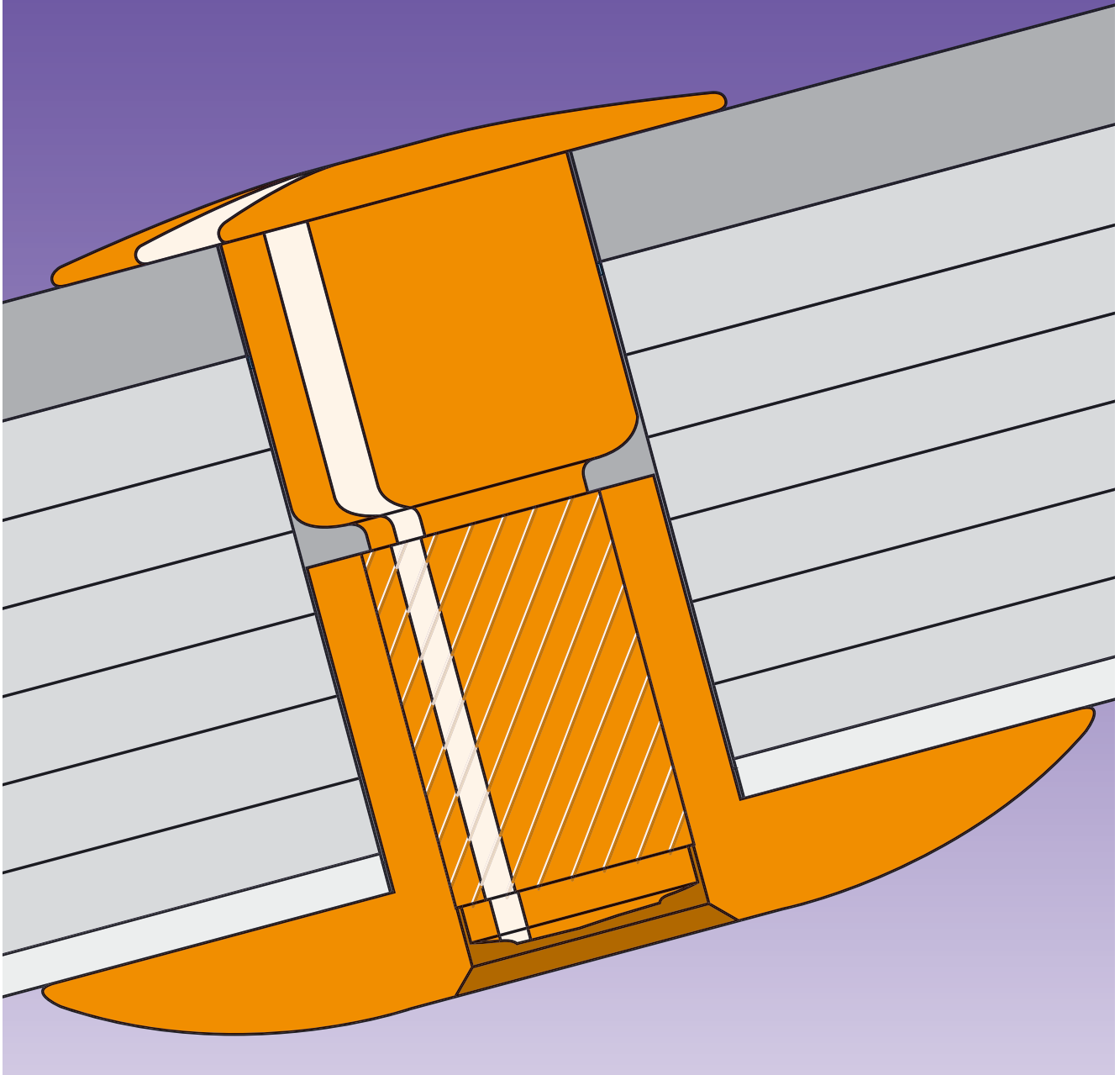


## ■ HUCKTAINER<sup>®</sup> pins and collars



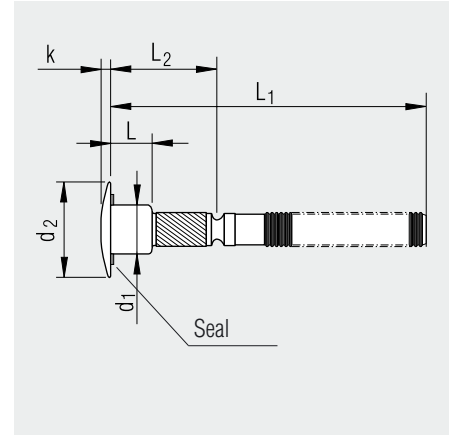
TITGEMEYER Tb1424GB(0110)2

# HUCKTAINER® pins and collars

Bolt with sprayed seal  
(liquid seal)

## Material

**Steel** zinc 1.5508  
(AISI 10B22)  
min 10 µm  
colourless chromated

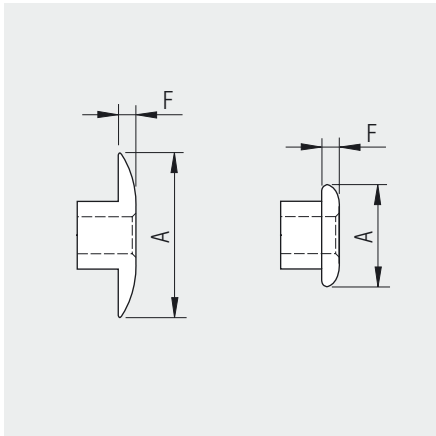


Nominal pin- $\varnothing$ <b>d</b> [mm]	Hole- $\varnothing$ [mm]	Grip range [mm]	Shaft length		Pin shank $\varnothing$		Head $\varnothing$		Head height k max [mm]	Tensile strength nom [N]	Part No.	
			L nom [mm]	L <sub>1</sub> nom [mm]	L <sub>2</sub> nom [mm]	d <sub>1</sub> nom [mm]	d <sub>2</sub> max [mm]	Sleeve <sup>1</sup> ■ Steel			Pin ■ Steel	
<b>10</b>	10.3 – 10.7	14.3 – 17.5	3.2	58.2	16.0	10.0	21.2	3.7	3560	378 250 <sup>1</sup>	<b>378 230</b>	
		15.9 – 19.0	4.0	60.1	17.6	10.0	21.2	3.7	3560	378 250 <sup>1</sup>	<b>378 231</b>	
		17.5 – 20.6	5.6	61.4	19.2	10.0	21.2	3.7	3560	378 250 <sup>1</sup>	<b>378 232</b>	
		19.0 – 22.2	6.7	63.2	20.8	10.0	21.2	3.7	3560	378 250 <sup>1</sup>	<b>378 233</b>	
		20.6 – 23.8	8.8	64.6	22.4	10.0	21.2	3.7	3560	378 250 <sup>1</sup>	<b>378 234</b>	
		22.2 – 25.4	10.4	66.4	24.0	10.0	21.2	3.7	3560	378 250 <sup>1</sup>	<b>378 235</b>	
		23.8 – 27.0	11.9	68.0	25.5	10.0	21.2	3.7	3560	378 250 <sup>1</sup>	<b>378 236</b>	
		25.4 – 28.6	13.5	69.6	27.1	10.0	21.2	3.7	3560	378 250 <sup>1</sup>	<b>378 237</b>	
		27.0 – 30.2	15.1	71.2	28.7	10.0	21.2	3.7	3560	378 250 <sup>1</sup>	<b>378 238</b>	
		28.6 – 31.7	16.7	72.8	30.3	10.0	21.2	3.7	3560	378 250 <sup>1</sup>	<b>378 239</b>	
30.2 – 33.3	18.3	74.4	31.9	10.0	21.2	3.7	3560	378 250 <sup>1</sup>	<b>378 240</b>			
33.3 – 36.5	19.9	77.5	35.1	10.0	21.2	3.7	3560	378 250 <sup>1</sup>	<b>378 242</b>			

<sup>1</sup> Alternatively also 378 251

On request: • Other grip ranges from 11 mm to 49.2 mm  
• Collars must be ordered separately

We reserve the right to amend specifications at any time.



Collars

**Material**

■ **Steel** zinc clear 1.1121  
(AISI 1010)  
min 10 µm  
chromated

Nominal pin- $\varnothing$ [mm]	Head- $\varnothing$ A max [mm]	Head height F max [mm]	Part No. ■ <b>Steel</b>
<b>10</b>	29.5	3.8	<b>378 250</b>
<b>10</b>	16.0	3.0	<b>378 251</b>

We reserve the right to amend specifications at any time.

